


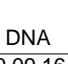




**EXPLANATION OF ABBREVIATIONS IN CATALOGUE**

**VERDUIDELIKING VAN AFKORTINGS IN KATALOGUS**

Calf traits	DIRECT CALF TRAITS	DIREKTE KALF EIENSKAPPE	Kalf eienskappe
Daughter traits	DAUGHTER TRAITS	DOGTER EIENSKAPPE	Dogter eienskappe
Growth traits	GROWTH	GROEI	Groei eienskappe
Efficiency traits	EFF	DOEL	Doeltreffendheids eienskappe
Reproduction traits	REPRODUCTION	REPRODUKSIE	Reproduksie eienskappe
Body measurements	MEASURE	MATES	Liggaamsmates
Lot number	Lot	Lot	Lotnommer
Ratio	R:	V:	Verhouding
Identification number	ID	ID	Identifikasienommer
Generation/Section of Herdbook	Gen	Gen	Generasie/Afdeling van kuddeboek
Weight in kilogram	Wgt kg	Gew kg	Gewig in kilogram
Index	Ind	Ind	Indeks
Accuracy of breeding value	Acc	Akk	Akkuraatheid van teelwaarde
Birth direct (kg)	Birth Dir	Geb Dir	Geboorte direk (kg)
Birth maternal (kg)	Birth Mat	Geb Mat	Geboorte maternaal (kg)
Wean direct (kg)	Wean Dir	Speen Dir	Speen direk (kg)
Wean maternal (kg)	Wean Mat	Speen Mat	Speen maternaal (kg)
Mature weight (kg)	Mature Wgt	Volw Gew	Volwasse gewig (kg)
365 Days (kg)	365d	365d	365 Dae (kg)
540 Days (kg)	540d	540d	540 Dae (kg)
Average daily gain (g/day)	ADG	GDT	Gemiddelde daaglikse toename (g/dag)
Feed conversion ratio	FCR	VOV	Voeromsetverhouding
Scrotal circumference (mm)	SC	SO	Skrotum omvang (mm)
Age First Calving	AFC	OEK	Ouderdom Eerste Kalwing
Inter Calving Period	ICP	TKP	Tussen Kalf Periode
Height (mm)	Hgt	Hgt	Hoogte (mm)
Length (mm)	Lgt	Lgt	Lengte (mm)
Length : Height ratio	LHR	HLV	Lengte : Hoogte verhouding
Birth weight : Cow weight ratio	BWR	GGV	Geboortegewig : Koeigewig verhouding
Wean weight : Cow weight ratio	WWR	SGV	Speengewig : Koeigewig verhouding
Age in years and months / Number of calvings	Age / Calv	Oud / Kalw	Ouderdom in jare en maande / Aantal kalwings
Average Wean index / Number of calves	Ave WI / Calf	Gem SI / Kalf	Gemiddelde Speenindeks / Aantal kalwers
Reproduction index	R.I.	R.I.	Reproduksie Indeks
Polled	Polled	Poena	Poena
Post Wean 365 days & Post Wean 540 days	PW365 & PW540	NS365 & NS540	Naspeen 365 dae & Naspeen 540 dae
Growth test & Growth test group	GT & GTg	GT & GTg	Groei Toets & Groeitoets groep
Central test	CT	ST	Sentrale toets
Ouerskap Verifikasie	OV	PV	Parentage Verification
Genomies Getoets	GT	GT	Genomically Tested
Homosigoties Poena (Celtic Toets)	PP(c)	PP(c)	Homozygous Polled (Celtic Test)
Heterosigoties Poena (Celtic Toets)	Pp(c)	Pp(c)	Heterozygous Polled (Celtic Test)
Beide Ouers Geverifieer	PV	PV	Both Parents Verified
Sire Geverifieer	SV	SV	Sire Verified
Dam Geverifieer	DV	DV	Dam Verified



Lot	Seller	ID POLLED Gen	PARENTS		Test	Breeding Value Indexes											LHR BWR WWR	Semen Users	Breeder Own Remarks
			SIRE GV PV	DAM GV PV		Genomic Tested DNA	Birth Dir Acc	Wean Dir Acc	Birth Mat Acc	Wean Mat Acc	Mat Wgt Acc	Post Wean Acc	ADG Acc	FCR Acc	SC Acc	Hgt Acc			
					Birth Date	Wgt kg	Wgt kg	Ind	kg	kg	kg	365d Ind	540d Ind	Ind	Ind	(mm)	(mm)	(mm)	

## BULLS



1	SYFERFONTEIN BOERDERY	SYF 150238 SP	SYF 100072 SYF 110244	GTg	<b>127</b>	<b>96</b>	<b>104</b>	<b>79</b>	<b>98</b>	<b>98</b>	<b>102</b>	<b>104</b>	<b>107</b>	<b>93</b>	<b>106</b>	1.22		
					-1.77	11.6	-0.41	-2.3	8.0	20.6	101	-54	14.8	-4	22	5.86		
				07.09.15	30	251	107		-	90	-	368	1167	1425	49.6			
2	SYFERFONTEIN BOERDERY	SYF 160222 SP	SYF 140014 SYF 130009	GTg	<b>100</b>	<b>107</b>	<b>122</b>	<b>81</b>	<b>90</b>	<b>102</b>	<b>99</b>	<b>101</b>	<b>92</b>	<b>86</b>	<b>96</b>	1.19		
					1.07	16.5	-1.21	-1.8	-1.0	22.8	87	-48	3.4	-9	8	7.71		
				20.09.16	34	223	100		-	98	-	340	1153	1371	52.5			
3	SYFERFONTEIN BOERDERY	SYF 170050 SP	GEL 100113 SYF 070176	GTg	<b>117</b>	<b>104</b>	<b>111</b>	<b>82</b>	<b>104</b>	<b>101</b>	<b>90</b>	<b>87</b>	<b>102</b>	<b>90</b>	<b>102</b>	1.2		
					-0.66	15.2	-0.73	-1.4	14.0	22.3	50	-20	11.2	-6	16	5.5		
				01.03.17	33	215	98		-	99	-	360	1188	1428	33.9			
4	SYFERFONTEIN BOERDERY	SYF 150097 SP	SYF 120042 SYF 070104	GTg	<b>119</b>	<b>96</b>	<b>106</b>	<b>79</b>	<b>104</b>	<b>103</b>	<b>107</b>	<b>105</b>	<b>103</b>	<b>83</b>	<b>95</b>	1.24		
					-0.94	11.5	-0.51	-2.4	13.0	23.8	125	-57	11.4	-12	7	6.38		
				22.03.15	36	226	98		-	103	-	332	1136	1406	43.8			
5	SYFERFONTEIN BOERDERY	SYF 160295 SP	SYF 130047 SYF 080026	GTg	<b>119</b>	<b>84</b>	<b>108</b>	<b>93</b>	<b>88</b>	<b>75</b>	<b>88</b>	<b>99</b>	<b>102</b>	<b>80</b>	<b>85</b>	1.19		
					-0.91	6.1	-0.59	1.5	-3.0	5.0	38	-44	11.3	-15	-6	6.1		
				23.11.16	30	224	103		-	92	-	353	1123	1333	45.4			
6	BLOUKRAAN BONSMARAS	SYF 150155 SP	SYF 120090 ADV 080229	GTg	<b>125</b>	<b>90</b>	<b>88</b>	<b>98</b>	<b>101</b>	<b>91</b>	<b>101</b>	<b>105</b>	<b>99</b>	<b>63</b>	<b>84</b>	1.25		
					-1.56	8.8	0.33	3.1	11.0	15.6	101	-57	8.4	-28	-9	5.88		
				24.04.15	34	252	112		-	100	-	366	1111	1384	50.6			

1.10	13.4	-0.23	3.6	10	21.7	94	-46	9.4	2	14
------	------	-------	-----	----	------	----	-----	-----	---	----



**Lot 1**

SYF 150238 SPN Mat. 79 	SYF 100072 SPN Mat. 49 	AFC 29 ICP 424 RI 106	SPN Mat. 122 Age/Calv. 7/5 Avg. WI/Calf 105/5	LAR 060141 SPN Mat. 75 SYF 070209 SPN Mat. 79 Age/Calv. 11/9 Avg. WI/Calf 101/9 LAR 060034 SPN Mat. 116 ADV 010012 SPN Mat. 111 Age/Calv. 10/8 Avg. WI/Calf 99/8	LAR 020064 SPN Mat. 67 LAR 030185 SPN Mat. 84 LAR 030398 SPN Mat. 71 SYF 040040 SPN Mat. 102 LAR 020101 SPN Mat. 97 LAR 980130 SPN Mat. 115 SPN Mat. AG 980224 SPN Mat. 96
--	--	-----------------------------	---	---	--



**Lot 2**

SYF 160222 SPN Mat. 81 	SYF 140014 SPN Mat. 99 	AFC 28 ICP 415 RI 110	SPN Mat. 62 Age/Calv. 6/4 Avg. WI/Calf 100/3	ADV 110062 SPN Mat. 84 Elite-Bronze SYF 100343 SPN Mat. 118 Age/Calv. 8/7 Avg. WI/Calf 101/5 SYF 100072 SPN Mat. 49 SYF 100349 SPN Mat. 79 Age/Calv. 7/6 Avg. WI/Calf 100/6	ADV 070005 SPN Mat. 71 ADV 070051 SPN Mat. 110 SYF 070008 SPN Mat. 106 SYF 030008 SPN Mat. 141 LAR 060141 SPN Mat. 75 SYF 070209 SPN Mat. 79 SYF 070116 SPN Mat. 68 SYF 080076 SPN Mat. 93
--	--	-----------------------------	--	---	---



**Lot 3**

SYF 170050 SPN Mat. 82 	GEL 100113 SPN Mat. 93 	AFC 29 ICP 364 RI 115	SPN Mat. 86 Age/Calv. 10/9 Avg. WI/Calf 97/9	GEL 060132 SPN Mat. 81 GEL 050008 SPN Mat. 106 Age/Calv. 6/5 Avg. WI/Calf 105/5 LAR 030398 SPN Mat. 71 SYF 070176 SPN Mat. 86 SYF 040011 SPN Mat. 104 Age/Calv. 8/7 Avg. WI/Calf 102/5	ADV 010011 SPN Mat. 77 ADV 030070 SPN Mat. 79 ADV 010011 SPN Mat. 77 GEL 970006 SPN Mat. 141 LAR 010297 SPN Mat. 71 LAR 990031 SPN Mat. 86 AG 980165 SPN Mat. 119 RCO 950194 SPN Mat. 89
--	--	-----------------------------	--	---	---



**Lot 4**

SYF 150097 SPN Mat. 79 	SYF 120042 SPN Mat. 73 	AFC 30 ICP 365 RI 115	SPN Mat. 95 Age/Calv. 11/10 Avg. WI/Calf 97/7	SYF 070036 SPN Mat. 75 SYF 060149 SPN Mat. 95 Age/Calv. 7/6 Avg. WI/Calf 101/7 ADV 030016 SPN Mat. 87 SYF 070104 SPN Mat. 95 SYF 000059 SPN Mat. 115 Age/Calv. 14/12 Avg. WI/Calf 101/12	AG 020251 SPN Mat. 120 SYF 990070 SPN Mat. 95 SYF 020051 SPN Mat. 104 SYF 960070 SPN Mat. 108 AG J 0008 SPN Mat. 89 AG 990280 SPN Mat. 94 RCO 960016 SPN Mat. 93 SYF 970164 SPN Mat. 132
--	--	-----------------------------	---	---	---

**Lot 5**

SYF 160295 SPN Mat. 93 	SYF 130047 SPN Mat. 92 	AFC 30 ICP 374 RI 112	SPN Mat. 101 Age/Calv. 9/7 Avg. WI/Calf 96/7	SYF 090010 SPN Mat. 84 SYF 090132 SPN Mat. 115 Age/Calv. 7/5 Avg. WI/Calf 106/3 AG 020251 SPN Mat. 120 Gold SYF 970139 SPN Mat. 98 Age/Calv. 16/14 Avg. WI/Calf 97/13	SYF 040160 SPN Mat. 71 SYF 060173 SPN Mat. 104 AG 020251 SPN Mat. 120 SYF 020079 SPN Mat. 102 AG 980338 SPN Mat. 87 AG 950206 SPN Mat. 126 SPN Mat. SYF K 0074 SPN Mat. 109
--	--	-----------------------------	--	---	---

**Lot 6**

SYF 150155 SPN Mat. 98 	SYF 120090 SPN Mat. 107 	AFC 35 ICP 391 RI 106	SPN Mat. 105 Age/Calv. 9/7 Avg. WI/Calf 102/7	ADV 070154 SPN Mat. 106 Elite-Gold SYF 070114 SPN Mat. 106 Age/Calv. 10/9 Avg. WI/Calf 102/8 ADV 050155 SPN Mat. 90 ADV 040035 SPN Mat. 85 Age/Calv. 10/6 Avg. WI/Calf 96/6	LAR 030398 SPN Mat. 71 ADV 030008 SPN Mat. 127 SYF 020051 SPN Mat. 104 SYF 990079 SPN Mat. 91 AG 990153 SPN Mat. 71 AG 970357 SPN Mat. 99 AG 980012 SPN Mat. 71 AG 960119 SPN Mat. 107
--	---	-----------------------------	---	---	---

Lot	Verkoper	ID POENA Gen	OUERS VADER GV OV MOEDER GV OV	Toets Genomies Getoets DNS Geb. dat.	DIREKTE KALF EIENSKAPPE		DOGTER EIENSKAPPE			GROEI		DOEL	REP	MATES		V:	Semen Gebruikers	Gebruiker Eie Opmerkings
					Nageslag Geboorte- gewig	Nageslag Speengewig	Gemak van Kalwing	Melk prod.	Volwas- se Gewig	Naspeen- gewig	Daaglikse Toename			Voer- omset	Hoogte & Lengte			
Teelwaarde indekse																		
Geb Dir	Speen Dir	Geb Mat	Speen Mat	Volw Gew	Naspeen	GDT	VOV	SO	Hgt	Lgt	LHV							
Akk	Akk	Akk	Akk	Akk	Akk	Akk	Akk	Akk	Akk	Akk	GGV							
Gew kg	Gew kg	Ind	kg	kg	kg	365d Ind	540d Ind	Ind	Ind	(mm)	(mm)	(mm)	SGV					

## BULLE

7	SYFERFONTEIN BOERDERY	SYF 160292	SYF 120090	GTg	<b>107</b>	<b>98</b>	<b>109</b>	<b>95</b>	<b>82</b>	<b>96</b>	<b>92</b>	<b>99</b>	<b>97</b>	<b>80</b>	<b>88</b>	1.21			
			<input checked="" type="checkbox"/>	<input checked="" type="checkbox"/>	G T	0.35	12.4	-0.63	2.0	-9.0	18.7	58	-45	6.8	-14	-3	7.39		
			VIL 110234	<input checked="" type="checkbox"/>		19.11.16	36	217	106		-	95	-	343	1111	1341	49.4		
8	SYFERFONTEIN BOERDERY	SYF 160272	SYF 120090	GTg	<b>90</b>	<b>105</b>	<b>100</b>	<b>103</b>	<b>104</b>	<b>105</b>	<b>106</b>	<b>103</b>	<b>92</b>	<b>89</b>	<b>96</b>	1.2			
			<input checked="" type="checkbox"/>	<input checked="" type="checkbox"/>	G T	2.16	15.5	-0.25	4.3	14.0	25.3	120	-53	3.4	-7	8	6.99		
			SYF 090196	<input checked="" type="checkbox"/>		04.11.16	39	208	99		-	101	-	321	1143	1366	41.3		
9	SYFERFONTEIN BOERDERY	SYF 170044	CKB 110010	GTg	<b>104</b>	<b>101</b>	<b>108</b>	<b>91</b>	<b>107</b>	<b>109</b>	<b>109</b>	<b>101</b>	<b>95</b>	<b>89</b>	<b>103</b>	1.22			
			<input checked="" type="checkbox"/>	G T	0.65	13.9	-0.60	0.9	18.0	27.7	137	-48	5.7	-7	18	6.51			
			SYF 140307		<input checked="" type="checkbox"/>	27.02.17	31	245	100		-	115	-	335	1177	1437	58.3		
10	SYFERFONTEIN BOERDERY	SYF 160237	SYF 130047	GTg	<b>77</b>	<b>122</b>	<b>102</b>	<b>88</b>	<b>124</b>	<b>120</b>	<b>111</b>	<b>105</b>	<b>95</b>	<b>86</b>	<b>101</b>	1.22			
			<input checked="" type="checkbox"/>	G T	3.54	23.1	-0.32	0.1	36.0	35.3	142	-57	5.7	-9	15	6.68			
			SYF 050040		<input checked="" type="checkbox"/>	13.10.16	39	246	110		-	110	-	329	1163	1414	45.6		
11	KLEIN GELUK BONSMARAS	SYF 160316	GEL 100113	GT	<b>110</b>	<b>114</b>	<b>114</b>	<b>91</b>	<b>95</b>	<b>109</b>	<b>99</b>	<b>94</b>	<b>103</b>	<b>87</b>	<b>104</b>	1.21			
			<input checked="" type="checkbox"/>	G T	0.05	19.6	-0.86	1.0	4.0	27.9	90	-34	11.4	-9	19	8.28			
			SYF 130230		<input checked="" type="checkbox"/>	23.11.16	36	287	109		-	110	-	346	1143	1384	69.2		
12	SYFERFONTEIN BOERDERY	SYF 160250	SYF 120090	GTg	<b>103</b>	<b>91</b>	<b>96</b>	<b>107</b>	<b>93</b>	<b>96</b>	<b>102</b>	<b>99</b>	<b>106</b>	<b>98</b>	<b>99</b>	1.21			
			<input checked="" type="checkbox"/>	<input checked="" type="checkbox"/>	G T	0.75	9.4	-0.07	5.6	2.0	18.9	103	-44	14.2	0	13	6.64		
			ADV 100081	<input checked="" type="checkbox"/>		24.10.16	33	213	105		-	105	-	356	1168	1410	48.2		

# BONASARA BEESTENGENOOTSKAP VAN SA

Saamgestel deur die Suid-Afrikaanse Stamboek- en Veeverbeteringsvereniging

Veilingsdatum: 18/07/2019  
Data soos op 13/06/2019 12:23:25

**Lot 7**

**SYF 160292**  
SPN Mat. 95

**SYF 120090**  
SPN Mat. 107

**VIL 110234**  
SPN Mat. 86  
Oud/Kalw. 7/5  
Gem. SI/Kalf 100/3

OEK 29  
TKP 415  
RI 108

**ADV 070154**  
SPN Mat. 106

Elite-Goud

**SYF 070114**  
SPN Mat. 106  
Oud/Kalw. 10/9  
Gem. SI/Kalf 102/8

**ADV 060174**  
SPN Mat. 91

**VIL 070013**  
SPN Mat. 69  
Oud/Kalw. 9/7  
Gem. SI/Kalf 92/6

OEK 31  
TKP 361  
OEK 34  
TKP 387

**LAR 030398**  
SPN Mat. 71  
**ADV 030008**  
SPN Mat. 127  
**SYF 020051**  
SPN Mat. 104  
**SYF 990079**  
SPN Mat. 91  
**SYF 020051**  
SPN Mat. 104  
**AG 010403**  
SPN Mat. 88  
**AG 990153**  
SPN Mat. 71  
**GEL 040045**  
SPN Mat. 72

**Lot 8**

**SYF 160272**  
SPN Mat. 103

**SYF 120090**  
SPN Mat. 107

**SYF 090196**  
SPN Mat. 95  
Oud/Kalw. 9/7  
Gem. SI/Kalf 101/6

**ADV 070154**  
SPN Mat. 106

Elite-Goud

**SYF 070114**  
SPN Mat. 106  
Oud/Kalw. 10/9  
Gem. SI/Kalf 102/8

**MMJ 050098**  
SPN Mat. 111

**SYF 020021**  
SPN Mat. 80  
Oud/Kalw. 13/11  
Gem. SI/Kalf 96/10

OEK 28  
TKP 413  
RI 108  
OEK 30  
TKP 399

**LAR 030398**  
SPN Mat. 71  
**ADV 030008**  
SPN Mat. 127  
**SYF 020051**  
SPN Mat. 104  
**SYF 990079**  
SPN Mat. 91  
**EI 980080**  
SPN Mat. 89  
**MMJ 010077**  
SPN Mat. 114  
**AG 960239**  
SPN Mat. 90  
**SYF 960070**  
SPN Mat. 108

**Lot 9**

**SYF 170044**  
SPN Mat. 91

**CKB 110010**  
SPN Mat. 85

**SYF 140307**  
SPN Mat. 100  
Oud/Kalw. 4/2  
Gem. SI/Kalf 102/2

OEK 28  
TKP 451  
RI 110

**FCT 980067**  
SPN Mat. 103

**DKN 040109**  
SPN Mat. 75  
Oud/Kalw. 12/9  
Gem. SI/Kalf 96/9

**SYF 120036**  
SPN Mat. 91

**SYF 070182**  
SPN Mat. 101  
Oud/Kalw. 11/9  
Gem. SI/Kalf 105/8

OEK 39  
TKP 399  
OEK 29  
TKP 416

**EI 940339**  
SPN Mat. 116  
**JVD 910053**  
SPN Mat. 109  
**RCO 980035**  
SPN Mat. 66  
**GB 950016**  
SPN Mat. 101  
**SYF 070036**  
SPN Mat. 75  
**ADV 040165**  
SPN Mat. 110  
**LAR 030398**  
SPN Mat. 71  
**SYF 040043**  
SPN Mat. 108

**Lot 10**

**SYF 160237**  
SPN Mat. 88

**SYF 130047**  
SPN Mat. 92

Elite-Goud

**SYF 050040**  
SPN Mat. 98  
Oud/Kalw. 14/12  
Gem. SI/Kalf 105/11

**SYF 090010**  
SPN Mat. 84

**SYF 090132**  
SPN Mat. 115  
Oud/Kalw. 7/5  
Gem. SI/Kalf 106/3

**SYF 020097**  
SPN Mat. 79

**SYF 020046**  
SPN Mat. 108  
Oud/Kalw. 7/5  
Gem. SI/Kalf 101/4

OEK 29  
TKP 422  
RI 112  
OEK 32  
TKP 368

**SYF 040160**  
SPN Mat. 71  
**SYF 060173**  
SPN Mat. 104  
**AG 020251**  
SPN Mat. 120  
**SYF 020079**  
SPN Mat. 102  
**LAR 970229**  
SPN Mat. 68  
**SYF 980030**  
SPN Mat. 90  
**AG 980165**  
SPN Mat. 119  
**SYF 000052**  
SPN Mat. 105

**Lot 11**

**SYF 160316**  
SPN Mat. 91

**GEL 100113**  
SPN Mat. 93

**SYF 130230**  
SPN Mat. 94  
Oud/Kalw. 6/3  
Gem. SI/Kalf 111/2

OEK 38  
TKP 432  
RI 92

**GEL 060132**  
SPN Mat. 81

**GEL 050008**  
SPN Mat. 106  
Oud/Kalw. 6/5  
Gem. SI/Kalf 105/5

**ADV 110062**  
SPN Mat. 84

**SYF 110017**  
SPN Mat. 91  
Oud/Kalw. 8/6  
Gem. SI/Kalf 97/4

OEK 26  
TKP 352  
OEK 30  
TKP 408

**ADV 010011**  
SPN Mat. 77  
**ADV 030070**  
SPN Mat. 79  
**ADV 010011**  
SPN Mat. 77  
**GEL 970006**  
SPN Mat. 141  
**ADV 070005**  
SPN Mat. 71  
**ADV 070051**  
SPN Mat. 110  
**SYF 080011**  
SPN Mat. 90  
**SYF 080163**  
SPN Mat. 100

**Lot 12**

**SYF 160250**  
SPN Mat. 107

**SYF 120090**  
SPN Mat. 107

**ADV 100081**  
SPN Mat. 116  
Oud/Kalw. 9/7  
Gem. SI/Kalf 102/7

**ADV 070154**  
SPN Mat. 106

Elite-Goud

**SYF 070114**  
SPN Mat. 106  
Oud/Kalw. 10/9  
Gem. SI/Kalf 102/8

**SYF 060102**  
SPN Mat. 104







**ADV 060119**  
SPN Mat. 129  
Oud/Kalw. 10/7  
Gem. SI/Kalf 110/6

OEK 29  
TKP 372  
RI 114  
OEK 31  
TKP 469

**LAR 030398**  
SPN Mat. 71  
**ADV 030008**  
SPN Mat. 127  
**SYF 020051**  
SPN Mat. 104  
**SYF 990079**  
SPN Mat. 91  
**AG 960296**  
SPN Mat. 92  
**SYF 970136**  
SPN Mat. 129  
**AG 960296**  
SPN Mat. 92  
**ADV 020014**  
SPN Mat. 117

Lot	Seller	ID POLLED Gen	PARENTS		Test Genomic Tested DNA Birth Date	Breeding Value Indexes					MEASUREMENTS					R:	Semen Users	Breeder Own Remarks			
			SIRE GV PV	DAM GV PV		Birth Dir Acc	Wean Dir Acc	Birth Mat Acc	Wean Mat Acc	Mat Wgt Acc	Post Wean Acc	ADG Acc	FCR Acc	SC Acc	Hgt Acc				Lgt Acc	LHR	BWR
						Progeny Birth Weight	Progeny Wean Weight	Ease of Calving	Milk prod.	Mature Weight	Post Wean Weight	Daily Gain	Feed Conv	Height & Length							
						Wgt kg	Wgt kg	Ind	kg	kg	kg	365d Ind	540d Ind	Ind	Ind	(mm)	(mm)	(mm)			

## BULLS


13	STORMFONTEIN BONSMARAS	ADV 150257 SP	ADV 110336 <input checked="" type="checkbox"/>	GTg	<b>84</b>	<b>103</b>	<b>115</b>	<b>89</b>	<b>101</b>	<b>92</b>	<b>80</b>	<b>85</b>	<b>96</b>	<b>67</b>	<b>85</b>	1.2			
			ADV 080048 <input checked="" type="checkbox"/>		2.74	14.7	-0.92	0.4	11.0	16.1	1	-15	6.1	-25	-6	5.83			
				25.09.15	33	227	90			-		93	-	349	1166	1395	36.7		
14	SYFERFONTEIN BOERDERY	SYF 160246 SP	SYF 130047 <input checked="" type="checkbox"/>	GTg	<b>96</b>	<b>98</b>	<b>105</b>	<b>98</b>	<b>105</b>	<b>94</b>	<b>93</b>	<b>91</b>	<b>102</b>	<b>89</b>	<b>96</b>	1.2			
			ADV 080041 <input checked="" type="checkbox"/>		1.55	12.5	-0.45	3.1	15.0	17.9	63	-29	10.7	-7	8	5.94			
				22.10.16	34	224	101			-		107	-	348	1157	1389	40.1		
15	SYFERFONTEIN BOERDERY	SYF 170012 SP	SYF 140089 <input checked="" type="checkbox"/>	GTg	<b>98</b>	<b>101</b>	<b>114</b>	<b>82</b>	<b>104</b>	<b>98</b>	<b>91</b>	<b>95</b>	<b>97</b>	<b>70</b>	<b>86</b>	1.21			
			ADV 130110 <input checked="" type="checkbox"/>		1.30	13.8	-0.87	-1.6	14.0	20.0	52	-35	6.9	-23	-5	7.76			
				30.03.17	38	219	116			-		100	-	363	1151	1394	55.6		
16	SYFERFONTEIN BOERDERY	SYF 170068 SP	GEL 100113 <input checked="" type="checkbox"/>	GTg	<b>124</b>	<b>93</b>	<b>114</b>	<b>93</b>	<b>81</b>	<b>90</b>	<b>94</b>	<b>96</b>	<b>115</b>	<b>75</b>	<b>89</b>	1.21			
			SYF 060148 <input checked="" type="checkbox"/>		-1.38	10.5	-0.87	1.7	-11.0	15.0	67	-39	20.9	-18	-1	6.3			
				08.03.17	34	223	102			-		96	-	409	1151	1392	40.4		
17	SYFERFONTEIN BOERDERY	SYF 160345 SP	SYF 130047 <input checked="" type="checkbox"/>	GTg	<b>90</b>	<b>108</b>	<b>99</b>	<b>111</b>	<b>110</b>	<b>102</b>	<b>97</b>	<b>98</b>	<b>93</b>	<b>85</b>	<b>99</b>	1.2			
			SYF 040001 <input checked="" type="checkbox"/>		2.18	16.9	-0.18	6.5	20.0	22.9	80	-42	4.2	-11	12	5.85			
				12.12.16	40	246	109			-		102	-	321	1101	1324	41.6		
18	SYFERFONTEIN BOERDERY	SYF 170111 SP	SYF 130223 <input checked="" type="checkbox"/>	GTg	<b>94</b>	<b>108</b>	<b>111</b>	<b>85</b>	<b>115</b>	<b>112</b>	<b>109</b>	<b>109</b>	<b>116</b>	<b>88</b>	<b>98</b>	1.22			
			SYF 100227 <input checked="" type="checkbox"/>		1.73	16.9	-0.73	-0.6	26.0	29.7	137	-64	22.1	-8	11	6.38			
				03.04.17	36	231	110			-		118	-	385	1160	1410	43.6		



**Lot 13**

**ADV 150257**  
SPN Mat. 89

**ADV 110336**  
SPN Mat. 81



**ADV 080048**

AFC 30 SPN Mat. 89  
 ICP 387 Age/Calv. 11/9  
 RI 110 Avg. WI/Calf 100/7

**SYF 090144**  
SPN Mat. 89

**ADV 070052**

AFC 30 SPN Mat. 95  
 ICP 365 Age/Calv. 6/5  
 Avg. WI/Calf 106/4

**ADV 040182**  
SPN Mat. 76

**ADV 050196**


AFC 29 SPN Mat. 117  
 ICP 427 Age/Calv. 6/4  
 Avg. WI/Calf 102/4

**LAR 060034**  
SPN Mat. 116  
**SYF 060010**  
SPN Mat. 68  
**ADV 010011**  
SPN Mat. 77  
**AG 960002**  
SPN Mat. 103  
**AG 980012**  
SPN Mat. 71  
**AG 980111**  
SPN Mat. 103  
**SYF 020097**  
SPN Mat. 79  
**AG 000152**  
SPN Mat. 137

**Lot 14**

**SYF 160246**  
SPN Mat. 98

**SYF 130047**  
SPN Mat. 92



**ADV 080041**

AFC 29 SPN Mat. 105  
 ICP 367 Age/Calv. 10/9  
 RI 114 Avg. WI/Calf 101/8

**SYF 090010**  
SPN Mat. 84

**SYF 090132**

AFC 29 SPN Mat. 115  
 ICP 422 Age/Calv. 7/5  
 Avg. WI/Calf 106/3

**ADV 030016**  
SPN Mat. 87

**ADV 010023**


AFC 31 SPN Mat. 116  
 ICP 362 Age/Calv. 9/7  
 Avg. WI/Calf 106/7

**SYF 040160**  
SPN Mat. 71  
**SYF 060173**  
SPN Mat. 104  
**AG 020251**  
SPN Mat. 120  
**SYF 020079**  
SPN Mat. 102  
**AG J 0008**  
SPN Mat. 89  
**AG 990280**  
SPN Mat. 94  
**AG 990075**  
SPN Mat. 98  
**MBZ 960180**  
SPN Mat. 99

**Lot 15**

**SYF 170012**  
SPN Mat. 82

**SYF 140089**  
SPN Mat. 97



**ADV 130110**

AFC 30 SPN Mat. 84  
 ICP 408 Age/Calv. 6/4  
 RI 108 Avg. WI/Calf 108/3

**ADV 110336**  
SPN Mat. 81

**SYF 060111**

AFC 31 SPN Mat. 110  
 ICP 365 Age/Calv. 13/11  
 Avg. WI/Calf 104/10

**SYF 100072**  
SPN Mat. 49

**ADV 100281**


AFC 30 SPN Mat. 106  
 ICP 392 Age/Calv. 8/6  
 Avg. WI/Calf 97/5

**SYF 090144**  
SPN Mat. 89  
**ADV 070052**  
SPN Mat. 95  
**AG 960296**  
SPN Mat. 92  
**SYF 020072**  
SPN Mat. 102  
**LAR 060141**  
SPN Mat. 75  
**SYF 070209**  
SPN Mat. 79  
**SYF 070144**  
SPN Mat. 113  
**ADV 050030**  
SPN Mat. 101

**Lot 16**

**SYF 170068**  
SPN Mat. 93

**GEL 100113**  
SPN Mat. 93



**SYF 060148**

AFC 31 SPN Mat. 98  
 ICP 360 Age/Calv. 12/11  
 RI 115 Avg. WI/Calf 98/10

**GEL 060132**  
SPN Mat. 81

**GEL 050008**

AFC 26 SPN Mat. 106  
 ICP 352 Age/Calv. 6/5  
 Avg. WI/Calf 105/5

**SYF 020051**  
SPN Mat. 104

**SYF 980026**


AFC 34 SPN Mat. 95  
 ICP 390 Age/Calv. 12/10  
 Avg. WI/Calf 97/10

**ADV 010011**  
SPN Mat. 77  
**ADV 030070**  
SPN Mat. 79  
**ADV 010011**  
SPN Mat. 77  
**GEL 970006**  
SPN Mat. 141  
**LAR 970229**  
SPN Mat. 68  
**SYF 970136**  
SPN Mat. 129  
**RCO 950079**  
SPN Mat. 88  
**SYF 950061**  
SPN Mat. 98

**Lot 17**

**SYF 160345**  
SPN Mat. 111

**SYF 130047**  
SPN Mat. 92



**SYF 040001**

AFC 30 SPN Mat. 133  
 ICP 420 Age/Calv. 14/11  
 RI 104 Avg. WI/Calf 111/11

Elite-Gold

**SYF 090010**  
SPN Mat. 84

**SYF 090132**

AFC 29 SPN Mat. 115  
 ICP 422 Age/Calv. 7/5  
 Avg. WI/Calf 106/3

**AG 980165**  
SPN Mat. 119

**SYF 000102**


AFC 28 SPN Mat. 100  
 ICP 369 Age/Calv. 9/8  
 Avg. WI/Calf 104/7

**SYF 040160**  
SPN Mat. 71  
**SYF 060173**  
SPN Mat. 104  
**AG 020251**  
SPN Mat. 120  
**SYF 020079**  
SPN Mat. 102  
**AG 940145**  
SPN Mat. 106  
**AG 950180**  
SPN Mat. 142  
**RCO 960016**  
SPN Mat. 93  
**SYF 970127**  
SPN Mat. 95

**Lot 18**

**SYF 170111**  
SPN Mat. 85

**SYF 130223**  
SPN Mat. 82



**SYF 100227**

AFC 30 SPN Mat. 96  
 ICP 360 Age/Calv. 7/6  
 RI 114 Avg. WI/Calf 102/5

**SYF 100072**  
SPN Mat. 49

**ADV 110065**

AFC 29 SPN Mat. 85  
 ICP 446 Age/Calv. 6/4  
 Avg. WI/Calf 100/4

**SYF 070116**  
SPN Mat. 68







**SYF 080026**

AFC 30 SPN Mat. 101  
 ICP 374 Age/Calv. 9/7  
 Avg. WI/Calf 96/7

**LAR 060141**  
SPN Mat. 75  
**SYF 070209**  
SPN Mat. 79  
**ADV 070005**  
SPN Mat. 71  
**ADV 070078**  
SPN Mat. 79  
**AG 020172**  
SPN Mat. 75  
**SYF 050040**  
SPN Mat. 98  
**AG 020251**  
SPN Mat. 120  
**SYF 970139**  
SPN Mat. 98

Lot	Verkoper	ID POENA Gen	OUERS VADER GV OV MOEDER GV OV	Toets Genomies Getoets DNS Geb. dat.	DIREKTE KALF EIENSKAPPE		DOGTER EIENSKAPPE			GROEI		DOEL	REP	MATES		V:	Semen Gebruikers	Gebruiker Eie Opmerkings
					Nageslag Geboorte- gewig	Nageslag Speengewig	Gemak van Kalwing	Melk prod.	Volwas- se Gewig	Naspeen- gewig	Daaglikse Toename			Voer- omset	Hoogte & Lengte			
Teelwaarde indekse																		
Geb Dir	Speen Dir	Geb Mat	Speen Mat	Volw Gew	Naspeen	GDT	VOV	SO	Hgt	Lgt	LHV	GGV	SGV					
Akk	Akk	Akk	Akk	Akk	Akk	Akk	Akk	Akk	Akk	Akk	Akk	Akk	Akk	Akk	Akk	Akk		
Gew kg	Gew kg	Ind	kg	kg	kg	365d Ind	540d Ind	Ind	Ind	(mm)	(mm)	(mm)	(mm)	(mm)	(mm)	(mm)		

## BULLE

19	SYFERFONTEIN BOERDERY	SYF 160258	SYF 130047	GTg	<b>104</b>	<b>95</b>	<b>108</b>	<b>102</b>	<b>103</b>	<b>96</b>	<b>104</b>	<b>105</b>	<b>93</b>	<b>87</b>	<b>93</b>	1.21		
			<input checked="" type="checkbox"/>		0.70	11.0	-0.57	4.1	13.0	19.0	114	-57	4.0	-9	4	5.07		
			81	78	66	68	61	71	74	50	79	80	78					
		SP	SYF 030104	<input checked="" type="checkbox"/>	27.10.16	30	219	<b>100</b>		-	<b>115</b>	-	331	1101	1328	36.5		
20	SYFERFONTEIN BOERDERY	SYF 160229	SYF 130223	GTg	<b>101</b>	<b>106</b>	<b>102</b>	<b>90</b>	<b>102</b>	<b>105</b>	<b>100</b>	<b>101</b>	<b>102</b>	<b>69</b>	<b>90</b>	1.22		
			<input checked="" type="checkbox"/>		0.96	16.2	-0.31	0.7	12.0	24.8	96	-49	10.8	-23	0	7.53		
			81	77	62	64	61	70	73	50	78	79	77					
		SP	SYF 130128	<input checked="" type="checkbox"/>	06.10.16	32	237	<b>108</b>		-	<b>109</b>	-	345	1120	1370	58.4		
21	SYFERFONTEIN BOERDERY	SYF 170096	CKB 110010	GTg	<b>98</b>	<b>108</b>	<b>106</b>	<b>84</b>	<b>100</b>	<b>116</b>	<b>116</b>	<b>108</b>	<b>116</b>	<b>92</b>	<b>109</b>	1.23		
			<input checked="" type="checkbox"/>		1.27	17.1	-0.50	-0.9	9.0	32.3	167	-63	21.9	-5	26	7.05		
			81	76	63	64	58	70	52	78	79	77						
		SP	SYF 140284	<input checked="" type="checkbox"/>	20.03.17	32	237	<b>96</b>		-	<b>106</b>	-	366	1144	1402	62.5		
22	SYFERFONTEIN BOERDERY	SYF 160226	SYF 130223	GTg	<b>86</b>	<b>107</b>	<b>107</b>	<b>89</b>	<b>100</b>	<b>104</b>	<b>102</b>	<b>104</b>	<b>117</b>	<b>88</b>	<b>102</b>	1.22		
			<input checked="" type="checkbox"/>		2.54	16.5	-0.56	0.6	10.0	24.2	104	-54	22.5	-8	16	9.32		
			81	77	62	64	61	70	74	50	79	80	78					
		SP	ADV 120055	<input checked="" type="checkbox"/>	01.10.16	40	235	<b>103</b>		-	<b>96</b>	-	363	1178	1437	58		
23	SYFERFONTEIN BOERDERY	LAR 160332	LAR 130032	GTg	<b>109</b>	<b>115</b>	<b>109</b>	<b>120</b>	<b>110</b>	<b>118</b>	<b>117</b>	<b>107</b>	<b>122</b>	<b>87</b>	<b>108</b>	1.22		
			<input checked="" type="checkbox"/>		0.15	20.0	-0.62	9.2	21.0	34.1	170	-60	26.9	-9	25	-		
			79	67	59	60	53	68	72	54	78	79	77					
		SP	LAR 120317	<input checked="" type="checkbox"/>	17.11.16	34	238	<b>100</b>		-	<b>107</b>	-	363	1149	1403	47.6		
24	STORMFONTEIN BONSMARAS	ADV 160338	SYF 130047	GTg	<b>88</b>	<b>97</b>	<b>114</b>	<b>103</b>	<b>100</b>	<b>96</b>	<b>108</b>	<b>112</b>	<b>104</b>	<b>86</b>	<b>93</b>	1.18		
			<input checked="" type="checkbox"/>		2.33	12.2	-0.85	4.5	9.0	19.0	133	-72	12.9	-9	5	6.41		
			80	78	67	68	63	72	75	52	80	81	79					
		SP	ADV 060038	<input checked="" type="checkbox"/>	02.12.16	39	240	<b>106</b>		-	<b>104</b>	-	358	1117	1318	44.6		



### Lot 19

<p><b>SYF 160258</b> SPN Mat. 102</p>	<p><b>SYF 130047</b> SPN Mat. 92</p> <p><b>SYF 030104</b></p>	<table border="0" style="width: 100%;"> <tr> <td style="width: 50%; vertical-align: top;"> <p><b>SYF 090010</b> SPN Mat. 84</p> <p>OEK 29      SPN Mat. 115 TKP 422      Oud/Kalw. 7/5 Gem. SI/Kalf 106/3</p> <p><b>AG 960239</b> SPN Mat. 90</p> <p><b>SYF 970161</b> SPN Mat. 133 Oud/Kalw. 12/10 Gem. SI/Kalf 105/9</p> </td> <td style="width: 50%; vertical-align: top;"> <p><b>SYF 040160</b> SPN Mat. 71 <b>SYF 060173</b> SPN Mat. 104 <b>AG 020251</b> SPN Mat. 120 <b>SYF 020079</b> SPN Mat. 102 <b>AG 940145</b> SPN Mat. 106 <b>AG K 0086</b> SPN Mat. 65</p> </td> </tr> </table>	<p><b>SYF 090010</b> SPN Mat. 84</p> <p>OEK 29      SPN Mat. 115 TKP 422      Oud/Kalw. 7/5 Gem. SI/Kalf 106/3</p> <p><b>AG 960239</b> SPN Mat. 90</p> <p><b>SYF 970161</b> SPN Mat. 133 Oud/Kalw. 12/10 Gem. SI/Kalf 105/9</p>	<p><b>SYF 040160</b> SPN Mat. 71 <b>SYF 060173</b> SPN Mat. 104 <b>AG 020251</b> SPN Mat. 120 <b>SYF 020079</b> SPN Mat. 102 <b>AG 940145</b> SPN Mat. 106 <b>AG K 0086</b> SPN Mat. 65</p>
<p><b>SYF 090010</b> SPN Mat. 84</p> <p>OEK 29      SPN Mat. 115 TKP 422      Oud/Kalw. 7/5 Gem. SI/Kalf 106/3</p> <p><b>AG 960239</b> SPN Mat. 90</p> <p><b>SYF 970161</b> SPN Mat. 133 Oud/Kalw. 12/10 Gem. SI/Kalf 105/9</p>	<p><b>SYF 040160</b> SPN Mat. 71 <b>SYF 060173</b> SPN Mat. 104 <b>AG 020251</b> SPN Mat. 120 <b>SYF 020079</b> SPN Mat. 102 <b>AG 940145</b> SPN Mat. 106 <b>AG K 0086</b> SPN Mat. 65</p>			

OEK 36      SPN Mat. 113  
TKP 365      Oud/Kalw. 15/13  
RI 112      Gem. SI/Kalf 101/13

OEK 28      SPN Mat. 133  
TKP 401      Oud/Kalw. 12/10  
Gem. SI/Kalf 105/9

### Lot 20

<p><b>SYF 160229</b> SPN Mat. 90</p>	<p><b>SYF 130223</b> SPN Mat. 82</p> <p><b>SYF 130128</b></p>	<table border="0" style="width: 100%;"> <tr> <td style="width: 50%; vertical-align: top;"> <p><b>SYF 100072</b> SPN Mat. 49</p> <p>OEK 29      SPN Mat. 85 TKP 446      Oud/Kalw. 6/4 Gem. SI/Kalf 100/4</p> <p><b>SYF 090010</b> SPN Mat. 84</p> <p><b>SYF 090165</b> SPN Mat. 86 Oud/Kalw. 8/7 Gem. SI/Kalf 95/7</p> </td> <td style="width: 50%; vertical-align: top;"> <p><b>LAR 060141</b> SPN Mat. 75 <b>SYF 070209</b> SPN Mat. 79 <b>ADV 070005</b> SPN Mat. 71 <b>ADV 070078</b> SPN Mat. 79 <b>SYF 040160</b> SPN Mat. 71 <b>SYF 060173</b> SPN Mat. 104 <b>SYF 060102</b> SPN Mat. 104 <b>SYF 070048</b> SPN Mat. 70</p> </td> </tr> </table>	<p><b>SYF 100072</b> SPN Mat. 49</p> <p>OEK 29      SPN Mat. 85 TKP 446      Oud/Kalw. 6/4 Gem. SI/Kalf 100/4</p> <p><b>SYF 090010</b> SPN Mat. 84</p> <p><b>SYF 090165</b> SPN Mat. 86 Oud/Kalw. 8/7 Gem. SI/Kalf 95/7</p>	<p><b>LAR 060141</b> SPN Mat. 75 <b>SYF 070209</b> SPN Mat. 79 <b>ADV 070005</b> SPN Mat. 71 <b>ADV 070078</b> SPN Mat. 79 <b>SYF 040160</b> SPN Mat. 71 <b>SYF 060173</b> SPN Mat. 104 <b>SYF 060102</b> SPN Mat. 104 <b>SYF 070048</b> SPN Mat. 70</p>
<p><b>SYF 100072</b> SPN Mat. 49</p> <p>OEK 29      SPN Mat. 85 TKP 446      Oud/Kalw. 6/4 Gem. SI/Kalf 100/4</p> <p><b>SYF 090010</b> SPN Mat. 84</p> <p><b>SYF 090165</b> SPN Mat. 86 Oud/Kalw. 8/7 Gem. SI/Kalf 95/7</p>	<p><b>LAR 060141</b> SPN Mat. 75 <b>SYF 070209</b> SPN Mat. 79 <b>ADV 070005</b> SPN Mat. 71 <b>ADV 070078</b> SPN Mat. 79 <b>SYF 040160</b> SPN Mat. 71 <b>SYF 060173</b> SPN Mat. 104 <b>SYF 060102</b> SPN Mat. 104 <b>SYF 070048</b> SPN Mat. 70</p>			

OEK 28      SPN Mat. 88  
TKP 390      Oud/Kalw. 6/4  
RI 113      Gem. SI/Kalf 100/4

OEK 28      SPN Mat. 86  
TKP 369      Oud/Kalw. 8/7  
Gem. SI/Kalf 95/7

### Lot 21

<p><b>SYF 170096</b> SPN Mat. 84</p>	<p><b>CKB 110010</b> SPN Mat. 85</p> <p><b>SYF 140284</b></p>	<table border="0" style="width: 100%;"> <tr> <td style="width: 50%; vertical-align: top;"> <p><b>FCT 980067</b> SPN Mat. 103</p> <p>OEK 39      SPN Mat. 75 TKP 399      Oud/Kalw. 12/9 Gem. SI/Kalf 96/9</p> <p><b>SYF 120042</b> SPN Mat. 73</p> <p><b>ADV 070078</b> SPN Mat. 79 Oud/Kalw. 12/9 Gem. SI/Kalf 94/7</p> </td> <td style="width: 50%; vertical-align: top;"> <p><b>EI 940339</b> SPN Mat. 116 <b>JVD 910053</b> SPN Mat. 109 <b>RCO 980035</b> SPN Mat. 66 <b>GB 950016</b> SPN Mat. 101 <b>SYF 070036</b> SPN Mat. 75 <b>SYF 060149</b> SPN Mat. 95 <b>ADV 030016</b> SPN Mat. 87 <b>ADV 030055</b> SPN Mat. 85</p> </td> </tr> </table>	<p><b>FCT 980067</b> SPN Mat. 103</p> <p>OEK 39      SPN Mat. 75 TKP 399      Oud/Kalw. 12/9 Gem. SI/Kalf 96/9</p> <p><b>SYF 120042</b> SPN Mat. 73</p> <p><b>ADV 070078</b> SPN Mat. 79 Oud/Kalw. 12/9 Gem. SI/Kalf 94/7</p>	<p><b>EI 940339</b> SPN Mat. 116 <b>JVD 910053</b> SPN Mat. 109 <b>RCO 980035</b> SPN Mat. 66 <b>GB 950016</b> SPN Mat. 101 <b>SYF 070036</b> SPN Mat. 75 <b>SYF 060149</b> SPN Mat. 95 <b>ADV 030016</b> SPN Mat. 87 <b>ADV 030055</b> SPN Mat. 85</p>
<p><b>FCT 980067</b> SPN Mat. 103</p> <p>OEK 39      SPN Mat. 75 TKP 399      Oud/Kalw. 12/9 Gem. SI/Kalf 96/9</p> <p><b>SYF 120042</b> SPN Mat. 73</p> <p><b>ADV 070078</b> SPN Mat. 79 Oud/Kalw. 12/9 Gem. SI/Kalf 94/7</p>	<p><b>EI 940339</b> SPN Mat. 116 <b>JVD 910053</b> SPN Mat. 109 <b>RCO 980035</b> SPN Mat. 66 <b>GB 950016</b> SPN Mat. 101 <b>SYF 070036</b> SPN Mat. 75 <b>SYF 060149</b> SPN Mat. 95 <b>ADV 030016</b> SPN Mat. 87 <b>ADV 030055</b> SPN Mat. 85</p>			

OEK 29      SPN Mat. 76  
TKP 654      Oud/Kalw. 4/2  
RI 93      Gem. SI/Kalf 96/1

OEK 30      SPN Mat. 79  
TKP 424      Oud/Kalw. 12/9  
Gem. SI/Kalf 94/7

### Lot 22

<p><b>SYF 160226</b> SPN Mat. 89</p>	<p><b>SYF 130223</b> SPN Mat. 82</p> <p><b>ADV 120055</b></p>	<table border="0" style="width: 100%;"> <tr> <td style="width: 50%; vertical-align: top;"> <p><b>SYF 100072</b> SPN Mat. 49</p> <p>OEK 29      SPN Mat. 85 TKP 446      Oud/Kalw. 6/4 Gem. SI/Kalf 100/4</p> <p><b>SYF 090010</b> SPN Mat. 84</p> <p><b>ADV 080153</b> SPN Mat. 87 Oud/Kalw. 10/8 Gem. SI/Kalf 100/7</p> </td> <td style="width: 50%; vertical-align: top;"> <p><b>LAR 060141</b> SPN Mat. 75 <b>SYF 070209</b> SPN Mat. 79 <b>ADV 070005</b> SPN Mat. 71 <b>ADV 070078</b> SPN Mat. 79 <b>SYF 040160</b> SPN Mat. 71 <b>SYF 060173</b> SPN Mat. 104 <b>ADV 040182</b> SPN Mat. 76 <b>AG 970357</b> SPN Mat. 99</p> </td> </tr> </table>	<p><b>SYF 100072</b> SPN Mat. 49</p> <p>OEK 29      SPN Mat. 85 TKP 446      Oud/Kalw. 6/4 Gem. SI/Kalf 100/4</p> <p><b>SYF 090010</b> SPN Mat. 84</p> <p><b>ADV 080153</b> SPN Mat. 87 Oud/Kalw. 10/8 Gem. SI/Kalf 100/7</p>	<p><b>LAR 060141</b> SPN Mat. 75 <b>SYF 070209</b> SPN Mat. 79 <b>ADV 070005</b> SPN Mat. 71 <b>ADV 070078</b> SPN Mat. 79 <b>SYF 040160</b> SPN Mat. 71 <b>SYF 060173</b> SPN Mat. 104 <b>ADV 040182</b> SPN Mat. 76 <b>AG 970357</b> SPN Mat. 99</p>
<p><b>SYF 100072</b> SPN Mat. 49</p> <p>OEK 29      SPN Mat. 85 TKP 446      Oud/Kalw. 6/4 Gem. SI/Kalf 100/4</p> <p><b>SYF 090010</b> SPN Mat. 84</p> <p><b>ADV 080153</b> SPN Mat. 87 Oud/Kalw. 10/8 Gem. SI/Kalf 100/7</p>	<p><b>LAR 060141</b> SPN Mat. 75 <b>SYF 070209</b> SPN Mat. 79 <b>ADV 070005</b> SPN Mat. 71 <b>ADV 070078</b> SPN Mat. 79 <b>SYF 040160</b> SPN Mat. 71 <b>SYF 060173</b> SPN Mat. 104 <b>ADV 040182</b> SPN Mat. 76 <b>AG 970357</b> SPN Mat. 99</p>			

OEK 24      SPN Mat. 92  
TKP 408      Oud/Kalw. 6/5  
RI 114      Gem. SI/Kalf 100/5

OEK 29      SPN Mat. 87  
TKP 394      Oud/Kalw. 10/8  
Gem. SI/Kalf 100/7

### Lot 23

<p><b>LAR 160332</b> SPN Mat. 120</p>	<p><b>LAR 130032</b> SPN Mat. 111</p> <p><b>LAR 120317</b></p>	<table border="0" style="width: 100%;"> <tr> <td style="width: 50%; vertical-align: top;"> <p><b>BP 100017</b> SPN Mat. 137</p> <p>OEK 34      SPN Mat. 101 TKP 385      Oud/Kalw. 8/6 Gem. SI/Kalf 108/6</p> <p><b>LAR 090210</b> SPN Mat. 120</p> <p>Elite-Goud <b>LAR 080295</b></p> <p>OEK 36      SPN Mat. 109 TKP 374      Oud/Kalw. 10/8 Gem. SI/Kalf 102/8</p> </td> <td style="width: 50%; vertical-align: top;"> <p><b>WCS 060011</b> SPN Mat. 90 <b>BP 070007</b> SPN Mat. 142 <b>LAR 080054</b> SPN Mat. 100 <b>LAR 020268</b> SPN Mat. 101 <b>LAR 040287</b> SPN Mat. 135 <b>LAR 050068</b> SPN Mat. 95 <b>AG 040374</b> SPN Mat. 103 <b>LAR 050375</b> SPN Mat. 121</p> </td> </tr> </table>	<p><b>BP 100017</b> SPN Mat. 137</p> <p>OEK 34      SPN Mat. 101 TKP 385      Oud/Kalw. 8/6 Gem. SI/Kalf 108/6</p> <p><b>LAR 090210</b> SPN Mat. 120</p> <p>Elite-Goud <b>LAR 080295</b></p> <p>OEK 36      SPN Mat. 109 TKP 374      Oud/Kalw. 10/8 Gem. SI/Kalf 102/8</p>	<p><b>WCS 060011</b> SPN Mat. 90 <b>BP 070007</b> SPN Mat. 142 <b>LAR 080054</b> SPN Mat. 100 <b>LAR 020268</b> SPN Mat. 101 <b>LAR 040287</b> SPN Mat. 135 <b>LAR 050068</b> SPN Mat. 95 <b>AG 040374</b> SPN Mat. 103 <b>LAR 050375</b> SPN Mat. 121</p>
<p><b>BP 100017</b> SPN Mat. 137</p> <p>OEK 34      SPN Mat. 101 TKP 385      Oud/Kalw. 8/6 Gem. SI/Kalf 108/6</p> <p><b>LAR 090210</b> SPN Mat. 120</p> <p>Elite-Goud <b>LAR 080295</b></p> <p>OEK 36      SPN Mat. 109 TKP 374      Oud/Kalw. 10/8 Gem. SI/Kalf 102/8</p>	<p><b>WCS 060011</b> SPN Mat. 90 <b>BP 070007</b> SPN Mat. 142 <b>LAR 080054</b> SPN Mat. 100 <b>LAR 020268</b> SPN Mat. 101 <b>LAR 040287</b> SPN Mat. 135 <b>LAR 050068</b> SPN Mat. 95 <b>AG 040374</b> SPN Mat. 103 <b>LAR 050375</b> SPN Mat. 121</p>			

OEK 35      SPN Mat. 121  
TKP 448      Oud/Kalw. 4/2  
RI 96      Gem. SI/Kalf 99/2

OEK 36      SPN Mat. 109  
TKP 374      Oud/Kalw. 10/8  
Gem. SI/Kalf 102/8

### Lot 24







<p><b>ADV 160338</b> SPN Mat. 103</p>	<p><b>SYF 130047</b> SPN Mat. 92</p> <p><b>ADV 060038</b></p>	<table border="0" style="width: 100%;"> <tr> <td style="width: 50%; vertical-align: top;"> <p><b>SYF 090010</b> SPN Mat. 84</p> <p>OEK 29      SPN Mat. 115 TKP 422      Oud/Kalw. 7/5 Gem. SI/Kalf 106/3</p> <p><b>AG 980012</b> SPN Mat. 71</p> <p><b>AG 960032</b> SPN Mat. 133 Oud/Kalw. 15/13 Gem. SI/Kalf 106/13</p> </td> <td style="width: 50%; vertical-align: top;"> <p><b>SYF 040160</b> SPN Mat. 71 <b>SYF 060173</b> SPN Mat. 104 <b>AG 020251</b> SPN Mat. 120 <b>SYF 020079</b> SPN Mat. 102 <b>TBR 910704</b> SPN Mat. 78 <b>AG 950167</b> SPN Mat. 95 <b>HJL N 0132</b> SPN Mat. 107 <b>AG 930234</b> SPN Mat. 127</p> </td> </tr> </table>	<p><b>SYF 090010</b> SPN Mat. 84</p> <p>OEK 29      SPN Mat. 115 TKP 422      Oud/Kalw. 7/5 Gem. SI/Kalf 106/3</p> <p><b>AG 980012</b> SPN Mat. 71</p> <p><b>AG 960032</b> SPN Mat. 133 Oud/Kalw. 15/13 Gem. SI/Kalf 106/13</p>	<p><b>SYF 040160</b> SPN Mat. 71 <b>SYF 060173</b> SPN Mat. 104 <b>AG 020251</b> SPN Mat. 120 <b>SYF 020079</b> SPN Mat. 102 <b>TBR 910704</b> SPN Mat. 78 <b>AG 950167</b> SPN Mat. 95 <b>HJL N 0132</b> SPN Mat. 107 <b>AG 930234</b> SPN Mat. 127</p>
<p><b>SYF 090010</b> SPN Mat. 84</p> <p>OEK 29      SPN Mat. 115 TKP 422      Oud/Kalw. 7/5 Gem. SI/Kalf 106/3</p> <p><b>AG 980012</b> SPN Mat. 71</p> <p><b>AG 960032</b> SPN Mat. 133 Oud/Kalw. 15/13 Gem. SI/Kalf 106/13</p>	<p><b>SYF 040160</b> SPN Mat. 71 <b>SYF 060173</b> SPN Mat. 104 <b>AG 020251</b> SPN Mat. 120 <b>SYF 020079</b> SPN Mat. 102 <b>TBR 910704</b> SPN Mat. 78 <b>AG 950167</b> SPN Mat. 95 <b>HJL N 0132</b> SPN Mat. 107 <b>AG 930234</b> SPN Mat. 127</p>			

OEK 30      SPN Mat. 103  
TKP 381      Oud/Kalw. 13/11  
RI 112      Gem. SI/Kalf 99/9

OEK 30      SPN Mat. 133  
TKP 385      Oud/Kalw. 15/13  
Gem. SI/Kalf 106/13

Lot	Seller	ID POLLED Gen	PARENTS		Test	Breeding Value Indexes											LHR BWR WWR	Semen Users	Breeder Own Remarks
			SIRE GV PV	DAM GV PV		Genomic Tested DNA	Birth Dir Acc	Wean Dir Acc	Birth Mat Acc	Wean Mat Acc	Mat Wgt Acc	Post Wean Acc	ADG Acc	FCR Acc	SC Acc	Hgt Acc			
					Birth Date	Wgt kg	Wgt kg	Ind	kg	kg	kg	365d Ind	540d Ind	Ind	Ind	(mm)	(mm)	(mm)	


## BULLS

25	STORMFONTEIN BONSMARAS	ADV 170148 SP	SYF 130223 <input checked="" type="checkbox"/>	GTg	<b>96</b>	<b>89</b>	<b>98</b>	<b>92</b>	<b>89</b>	<b>90</b>	<b>87</b>	<b>95</b>	<b>93</b>	<b>66</b>	<b>81</b>	1.21		
					1.51 76	8.6 74	-0.12 57	1.3 60	-3.0 54	14.7 66	32 71	-36 42	3.6 77	-25 79	-11 76	7.04		
				ADV 100283	15.05.17	40	216	<b>97</b>				-		<b>107</b>	-	355	1119	1353
26	SYFERFONTEIN BOERDERY	SYF 170065 SP	SYF 130223 <input checked="" type="checkbox"/>	PW540	<b>108</b>	<b>86</b>	<b>108</b>	<b>102</b>	<b>97</b>	<b>89</b>	<b>95</b>	<b>96</b>	<b>95</b>	<b>86</b>	<b>97</b>	-		
					0.26 78	7.1 74	-0.60 64	4.2 65	6.0 62	14.1 64	70 63	-38 59	5.5 63	-9 63	9 63	6.12		
				SYF 100343	08.03.17	34	207	<b>98</b>				100	100	-	-	-	-	-
27	SYFERFONTEIN BOERDERY	SYF 160242 SP	SYF 120090 <input checked="" type="checkbox"/>	GTg	<b>100</b>	<b>101</b>	<b>98</b>	<b>94</b>	<b>97</b>	<b>95</b>	<b>93</b>	<b>94</b>	<b>82</b>	<b>96</b>	<b>101</b>	1.19		
					1.14 77	13.7 73	-0.16 55	1.8 58	6.0 44	18.4 64	63 68	-35 38	-4.6 76	-1 77	15 74	6.27		
				SYF 110073 <input checked="" type="checkbox"/>	19.10.16	34	211	<b>103</b>				-		<b>100</b>	-	318	1137	1354
28	SYFERFONTEIN BOERDERY	SYF 160271 SP	SYF 120090 <input checked="" type="checkbox"/>	GTg	<b>112</b>	<b>94</b>	<b>106</b>	<b>99</b>	<b>92</b>	<b>103</b>	<b>110</b>	<b>107</b>	<b>96</b>	<b>93</b>	<b>98</b>	1.18		
					-0.15 81	10.8 79	-0.48 67	3.2 68	1.0 61	23.6 72	138 75	-62 57	5.9 79	-4 80	11 79	6.34		
				ADV 040124 <input checked="" type="checkbox"/>	04.11.16	34	196	<b>94</b>				-		<b>107</b>	-	333	1164	1369
29	SYFERFONTEIN BOERDERY	SYF 170053 SP	CKB 110010 <input checked="" type="checkbox"/>	GTg	<b>106</b>	<b>102</b>	<b>101</b>	<b>90</b>	<b>92</b>	<b>104</b>	<b>98</b>	<b>96</b>	<b>91</b>	<b>80</b>	<b>99</b>	1.21		
					0.44 80	14.3 75	-0.27 62	0.7 63	1.0 57	24.3 69	87 72	-39 49	2.6 78	-14 79	12 77	7.71		
				SYF 140220	02.03.17	32	248	<b>101</b>				-		<b>101</b>	-	335	1149	1388
30	KLEIN GELUK BONSMARAS	SYF 160306 SP	GEL 100113	GT	<b>114</b>	<b>95</b>	<b>104</b>	<b>100</b>	<b>90</b>	<b>94</b>	<b>95</b>	<b>99</b>	<b>105</b>	<b>86</b>	<b>96</b>	1.19		
					-0.35 80	11.4 76	-0.39 63	3.6 63	-1.0 59	17.4 68	72 71	-44 41	13.6 77	-9 78	8 76	8.35		
				ADV 130278	28.10.16	33	247	<b>93</b>				-		<b>97</b>	-	342	1141	1360

**Lot 25**

**ADV 170148**  
SPN Mat. 92

**SYF 130223**  
SPN Mat. 82



**ADV 100283**  
AFC 35 SPN Mat. 99  
ICP 479 Age/Calv. 8/5  
RI 91 Avg. WI/Calf 102/5

**SYF 100072**  
SPN Mat. 49

**ADV 110065**  
AFC 29 SPN Mat. 85  
ICP 446 Age/Calv. 6/4  
Avg. WI/Calf 100/4

**SYF 070036**  
SPN Mat. 75


**ADV 030069**  
AFC 33 SPN Mat. 107  
ICP 390 Age/Calv. 13/11  
Avg. WI/Calf 103/11

**LAR 060141**  
SPN Mat. 75  
**SYF 070209**  
SPN Mat. 79  
**ADV 070005**  
SPN Mat. 71  
**ADV 070078**  
SPN Mat. 79  
**AG 020251**  
SPN Mat. 120  
**SYF 990070**  
SPN Mat. 95  
**AG 980012**  
SPN Mat. 71  
**AG 000152**  
SPN Mat. 137

**Lot 26**

**SYF 170065**  
SPN Mat. 102

**SYF 130223**  
SPN Mat. 82



**SYF 070008**  
SPN Mat. 106

**SYF 100343**  
AFC 27 SPN Mat. 118  
ICP 368 Age/Calv. 8/7  
RI 116 Avg. WI/Calf 101/5


**SYF 030008**  
AFC 30 SPN Mat. 141  
ICP 417 Age/Calv. 15/12  
Avg. WI/Calf 107/13

**LAR 060141**  
SPN Mat. 75  
**SYF 070209**  
SPN Mat. 79  
**ADV 070005**  
SPN Mat. 71  
**ADV 070078**  
SPN Mat. 79  
**ADV 030016**  
SPN Mat. 87  
**SYF 030102**  
SPN Mat. 132  
**AG 980165**  
SPN Mat. 119  
**SYF 000087**  
SPN Mat. 116

**Lot 27**

**SYF 160242**  
SPN Mat. 94

**SYF 120090**  
SPN Mat. 107



**SYF 110073**  
AFC 29 SPN Mat. 84  
ICP 363 Age/Calv. 7/6  
RI 115 Avg. WI/Calf 97/5

**ADV 070154**  
SPN Mat. 106

**SYF 070114**  
AFC 31 SPN Mat. 106  
ICP 361 Age/Calv. 10/9  
Avg. WI/Calf 102/8

**SYF 080011**  
SPN Mat. 90


**SYF 080103**  
AFC 33 SPN Mat. 100  
ICP 506 Age/Calv. 8/5  
Avg. WI/Calf 107/4

**LAR 030398**  
SPN Mat. 71  
**ADV 030008**  
SPN Mat. 127  
**SYF 020051**  
SPN Mat. 104  
**SYF 990079**  
SPN Mat. 91  
**AG 020251**  
SPN Mat. 120  
**SYF 020020**  
SPN Mat. 91  
**GBS 030069**  
SPN Mat. 93  
**GBS 050197**  
SPN Mat. 87

**Lot 28**

**SYF 160271**  
SPN Mat. 99

**SYF 120090**  
SPN Mat. 107



**ADV 040124**  
AFC 37 SPN Mat. 80  
ICP 411 Age/Calv. 12/9  
RI 102 Avg. WI/Calf 97/9

**AG 980012**  
SPN Mat. 71


**AG 000116**  
AFC 36 SPN Mat. 101  
ICP 401 Age/Calv. 15/12  
Avg. WI/Calf 98/12

**LAR 030398**  
SPN Mat. 71  
**ADV 030008**  
SPN Mat. 127  
**SYF 020051**  
SPN Mat. 104  
**SYF 990079**  
SPN Mat. 91  
**TBR 910704**  
SPN Mat. 78  
**AG 950167**  
SPN Mat. 95  
**HJL 960006**  
SPN Mat. 90  
**AG 970238**  
SPN Mat. 129

**Lot 29**

**SYF 170053**  
SPN Mat. 90

**CKB 110010**  
SPN Mat. 85



**SYF 140220**  
AFC 30 SPN Mat. 89  
ICP 616 Age/Calv. 4/2  
RI 95 Avg. WI/Calf 101/1

**FCT 980067**  
SPN Mat. 103

**DKN 040109**  
AFC 39 SPN Mat. 75  
ICP 399 Age/Calv. 12/9  
Avg. WI/Calf 96/9

**SYF 100072**  
SPN Mat. 49


**SYF 100305**  
AFC 30 SPN Mat. 109  
ICP 448 Age/Calv. 7/5  
Avg. WI/Calf 98/5

**EI 940339**  
SPN Mat. 116  
**JVD 910053**  
SPN Mat. 109  
**RCO 980035**  
SPN Mat. 66  
**GB 950016**  
SPN Mat. 101  
**LAR 060141**  
SPN Mat. 75  
**SYF 070209**  
SPN Mat. 79  
**SYF 070008**  
SPN Mat. 106  
**SYF 060188**  
SPN Mat. 139

**Lot 30**

**SYF 160306**  
SPN Mat. 100

**GEL 100113**  
SPN Mat. 93



**ADV 130278**  
AFC 37 SPN Mat. 90  
ICP 390 Age/Calv. 5/3  
RI 99 Avg. WI/Calf 93/3

**GEL 050008**  
AFC 26 SPN Mat. 106  
ICP 352 Age/Calv. 6/5  
Avg. WI/Calf 105/5

**SYF 090010**  
SPN Mat. 84

**ADV 100087**  
AFC 29 SPN Mat. 102  
ICP 366 Age/Calv. 7/6  
Avg. WI/Calf 99/6

**ADV 010011**  
SPN Mat. 77  
**ADV 030070**  
SPN Mat. 79  
**ADV 010011**  
SPN Mat. 77  
**GEL 970006**  
SPN Mat. 141  
**SYF 040160**  
SPN Mat. 71  
**SYF 060173**  
SPN Mat. 104  
**LAR 060034**  
SPN Mat. 116  
**MBZ 960180**  
SPN Mat. 99

Lot	Verkoper	ID POENA Gen	OUERS VADER GV OV MOEDER GV OV	Toets Genomies Getoets DNS Geb. dat.	DIREKTE KALF EIENSKAPPE		DOGTER EIENSKAPPE			GROEI		DOEL	REP	MATES		V:	Semen Gebruikers	Gebruiker Eie Opmerkings
					Nageslag Geboorte- gewig	Nageslag Speengewig	Gemak van Kalwing	Melk prod.	Volwas- se Gewig	Naspeen- gewig	Daaglikse Toename			Voer- omset	Hoogte & Lengte			
Teelwaarde indekse																		
Geb Dir	Speen Dir	Geb Mat	Speen Mat	Volw Gew	Naspeen	GDT	VOV	SO	Hgt	Lgt	LHV	GGV	SGV					
Akk	Akk	Akk	Akk	Akk	Akk	Akk	Akk	Akk	Akk	Akk	Akk	Akk	Akk	Akk	Akk	Akk		
Gew kg	Gew kg	Ind	kg	kg	kg	365d Ind	540d Ind	Ind	Ind	(mm)	(mm)	(mm)	(mm)	(mm)	(mm)	(mm)		


## BULLE

31	KLEIN GELUK BONSMARAS	SYF 160308 SP	GEL 100113	GT	<b>114</b>	<b>109</b>	<b>105</b>	<b>97</b>	<b>96</b>	<b>107</b>	<b>107</b>	<b>104</b>	<b>119</b>	<b>105</b>	<b>112</b>	1.2		
					-0.39	17.2	-0.46	2.7	5.0	26.2	128	-54	24.3	6	30	8		
			SYF 130365	05.11.16	30	287	111				-		110	-	358	1195	1434	70.9
32	SYFERFONTEIN BOERDERY	SYF 170123 SP	GEL 100113	GTg	<b>100</b>	<b>104</b>	<b>92</b>	<b>99</b>	<b>109</b>	<b>107</b>	<b>107</b>	<b>108</b>	<b>105</b>	<b>100</b>	<b>107</b>	1.22		
					1.12	15.4	0.13	3.4	19.0	26.2	125	-62	13.0	2	23	7.28		
			ADV 100268	15.04.17	39	230	108				-		109	-	352	1165	1417	46.7
33	STORMFONTEIN BONSMARAS	ADV 160266 SP	SYF 130223	GTg	<b>107</b>	<b>98</b>	<b>109</b>	<b>87</b>	<b>104</b>	<b>101</b>	<b>102</b>	<b>105</b>	<b>105</b>	<b>86</b>	<b>94</b>	1.2		
					0.33	12.6	-0.65	-0.1	14.0	22.1	104	-57	13.2	-10	6	5.96		
			ADV 120030	01.11.16	34	222	99				-		104	-	348	1113	1331	43.4
34	SYFERFONTEIN BOERDERY	SYF 170051 SP	CKB 110010	GTg	<b>103</b>	<b>115</b>	<b>114</b>	<b>93</b>	<b>97</b>	<b>116</b>	<b>115</b>	<b>106</b>	<b>134</b>	<b>110</b>	<b>118</b>	1.21		
					0.81	20.2	-0.88	1.5	6.0	32.5	163	-58	36.5	10	38	7.61		
			VIL 140287	01.03.17	35	264	107				-		95	-	397	1218	1478	66
35	BOOGER BOERDERY BK	BDX 150007 SP	JRP 120008	GT	<b>97</b>	<b>104</b>	<b>118</b>	<b>116</b>	<b>104</b>	<b>111</b>	<b>118</b>	<b>114</b>	<b>100</b>	<b>90</b>	<b>101</b>	1.22		
					1.41	15.1	-1.05	8.1	14.0	29.1	177	-74	9.0	-6	15	5.29		
			SYF 060208	14.03.15	33	205	115				-		109	-	344	1156	1412	36.9
36	SYFERFONTEIN BOERDERY	SYF 170115 SP	CKB 110010	GTg	<b>115</b>	<b>99</b>	<b>106</b>	<b>91</b>	<b>93</b>	<b>105</b>	<b>107</b>	<b>101</b>	<b>111</b>	<b>106</b>	<b>111</b>	1.2		
					-0.45	12.8	-0.50	1.1	2.0	25.3	126	-49	18.2	7	29	7.13		
			SYF 140222	06.04.17	30	255	105				-		102	-	355	1181	1422	71.4

### Lot 31

**SYF 160308**  
SPN Mat. 97

**GEL 100113**  
SPN Mat. 93



OEK 35 SPN Mat. 106  
TKP 442 Oud/Kalw. 5/3  
RI 96 Gem. SI/Kalf 107/2

**GEL 060132**  
SPN Mat. 81

**GEL 050008**  
OEK 26 SPN Mat. 106  
TKP 352 Oud/Kalw. 6/5  
Gem. SI/Kalf 105/5

**SYF 090010**  
SPN Mat. 84


**SYF 090212**  
OEK 37 SPN Mat. 113  
TKP 468 Oud/Kalw. 7/4  
Gem. SI/Kalf 98/4

**ADV 010011**  
SPN Mat. 77  
**ADV 030070**  
SPN Mat. 79  
**ADV 010011**  
SPN Mat. 77  
**GEL 970006**  
SPN Mat. 141  
**SYF 040160**  
SPN Mat. 71  
**SYF 060173**  
SPN Mat. 104  
**SYF 060102**  
SPN Mat. 104  
**SYF 070011**  
SPN Mat. 115

### Lot 32

**SYF 170123**  
SPN Mat. 99

**GEL 100113**  
SPN Mat. 93



OEK 28 SPN Mat. 110  
TKP 376 Oud/Kalw. 9/7  
RI 114 Gem. SI/Kalf 105/5

**GEL 060132**  
SPN Mat. 81

**GEL 050008**  
OEK 26 SPN Mat. 106  
TKP 352 Oud/Kalw. 6/5  
Gem. SI/Kalf 105/5

**SYF 070036**  
SPN Mat. 75

**ADV 100268**  
OEK 24 SPN Mat. 128  
TKP 364 Oud/Kalw. 12/11  
Gem. SI/Kalf 105/9


**ADV 060185**  
SPN Mat. 71  
**AG 000152**  
SPN Mat. 137

**ADV 010011**  
SPN Mat. 77  
**ADV 030070**  
SPN Mat. 79  
**ADV 010011**  
SPN Mat. 77  
**GEL 970006**  
SPN Mat. 141  
**AG 020251**  
SPN Mat. 120  
**SYF 990070**  
SPN Mat. 95  
**AG 980012**  
SPN Mat. 71  
**AG 000152**  
SPN Mat. 137

### Lot 33

**ADV 160266**  
SPN Mat. 87

**SYF 130223**  
SPN Mat. 82



OEK 31 SPN Mat. 82  
TKP 355 Oud/Kalw. 6/5  
RI 114 Gem. SI/Kalf 97/5

**ADV 120030**  
OEK 30 SPN Mat. 87  
TKP 401 Oud/Kalw. 11/9  
Gem. SI/Kalf 100/8

**SYF 100072**  
SPN Mat. 49

**ADV 110065**  
OEK 29 SPN Mat. 85  
TKP 446 Oud/Kalw. 6/4  
Gem. SI/Kalf 100/4

**SYF 070036**  
SPN Mat. 75


**ADV 060144**  
SPN Mat. 104  
**AG 010402**  
SPN Mat. 89

**LAR 060141**  
SPN Mat. 75  
**SYF 070209**  
SPN Mat. 79  
**ADV 070005**  
SPN Mat. 71  
**ADV 070078**  
SPN Mat. 79  
**AG 020251**  
SPN Mat. 120  
**SYF 990070**  
SPN Mat. 95  
**SYF 020051**  
SPN Mat. 104  
**AG 010402**  
SPN Mat. 89

### Lot 34

**SYF 170051**  
SPN Mat. 93

**CKB 110010**  
SPN Mat. 85



OEK 28 SPN Mat. 97  
TKP 398 Oud/Kalw. 5/3  
RI 112 Gem. SI/Kalf 109/2

**FCT 980067**  
SPN Mat. 103

**DKN 040109**  
OEK 39 SPN Mat. 75  
TKP 399 Oud/Kalw. 12/9  
Gem. SI/Kalf 96/9

**GEL 100113**  
SPN Mat. 93

**VIL 140287**  
OEK 38 SPN Mat. 83  
TKP 387 Oud/Kalw. 10/7  
Gem. SI/Kalf 99/6


**VIL 090034**  
SPN Mat. 71  
**GEL 040047**  
SPN Mat. 101

**EI 940339**  
SPN Mat. 116  
**JVD 910053**  
SPN Mat. 109  
**RCO 980035**  
SPN Mat. 66  
**GB 950016**  
SPN Mat. 101  
**GEL 060132**  
SPN Mat. 81  
**GEL 050008**  
SPN Mat. 106  
**SYF 040160**  
SPN Mat. 71  
**GEL 040047**  
SPN Mat. 101

### Lot 35

**BDX 150007**  
SPN Mat. 116

**JRP 120008**  
SPN Mat. 93



OEK 27 SPN Mat. 134  
TKP 372 Oud/Kalw. 11/10  
RI 115 Gem. SI/Kalf 109/10

Elite-Goud  
**SYF 060208**

**LAR 060039**  
SPN Mat. 72

**JRP 090036**  
OEK 29 SPN Mat. 115  
TKP 404 Oud/Kalw. 9/7  
Gem. SI/Kalf 103/7

**SYF 020051**  
SPN Mat. 104


**SYF 010073**  
OEK 29 SPN Mat. 131  
TKP 407 Oud/Kalw. 10/8  
Gem. SI/Kalf 108/6

**EI 980080**  
SPN Mat. 89  
**LAR 030080**  
SPN Mat. 76  
**JRP 060043**  
SPN Mat. 116  
**JRP 040039**  
SPN Mat. 99  
**LAR 970229**  
SPN Mat. 68  
**SYF 970136**  
SPN Mat. 129  
**VV 940061**  
SPN Mat. 112  
**SYF N 0376**  
SPN Mat. 131

### Lot 36

**SYF 170115**  
SPN Mat. 91

**CKB 110010**  
SPN Mat. 85



OEK 31 SPN Mat. 102  
TKP 598 Oud/Kalw. 4/2  
RI 94 Gem. SI/Kalf 102/2

**FCT 980067**  
SPN Mat. 103

**DKN 040109**  
OEK 39 SPN Mat. 75  
TKP 399 Oud/Kalw. 12/9  
Gem. SI/Kalf 96/9

**GEL 100113**  
SPN Mat. 93

**SYF 140222**  
OEK 29 SPN Mat. 107  
TKP 367 Oud/Kalw. 7/6  
Gem. SI/Kalf 99/5






**SYF 110061**  
SPN Mat. 75  
**SYF 000011**  
SPN Mat. 132

**EI 940339**  
SPN Mat. 116  
**JVD 910053**  
SPN Mat. 109  
**RCO 980035**  
SPN Mat. 66  
**GB 950016**  
SPN Mat. 101  
**GEL 060132**  
SPN Mat. 81  
**GEL 050008**  
SPN Mat. 106  
**SYF 070036**  
SPN Mat. 75  
**SYF 000011**  
SPN Mat. 132




Lot	Seller	ID POLLED Gen	PARENTS		Test	Breeding Value Indexes											LHR	BWR	WWR	Semen Users	Breeder Own Remarks	
			SIRE GV PV	DAM GV PV		Genomic Tested	DNA	Birth Dir	Wean Dir	Birth Mat	Wean Mat	Mat Wgt	Post Wean	ADG	FCR	SC						Hgt
						Birth Date	Wgt kg	Wgt kg	Ind	kg	kg	kg	365d Ind	540d Ind	Ind	Ind	(mm)	(mm)	(mm)			

## BULLS


37	SYFERFONTEIN BOERDERY	SYF 150154 SP	SYF 100072 <input checked="" type="checkbox"/>	GTg	<b>100</b>	<b>117</b>	<b>112</b>	<b>78</b>	<b>92</b>	<b>118</b>	<b>114</b>	<b>110</b>	<b>114</b>	<b>98</b>	<b>107</b>	1.23		
			SYF 120011 <input checked="" type="checkbox"/>	DNA	1.05 93	21.1 87	-0.76 60	-2.6 63	1.0 56	33.7 65	161 70	-67 14	20.7 76	0 77	24 75	8.18		
				21.04.15	35	258	111				-		97	-	367	1140	1402	71.3
38	SYFERFONTEIN BOERDERY	TNS 160191 SP	ADV 110336	GT	<b>87</b>	<b>95</b>	<b>114</b>	<b>103</b>	<b>103</b>	<b>92</b>	<b>90</b>	<b>91</b>	<b>102</b>	<b>77</b>	<b>92</b>	1.24		
			TNS 080101 <input checked="" type="checkbox"/>		2.51 86	11.2 79	-0.85 68	4.5 69	12.0 64	16.5 72	46 74	-28 56	10.6 79	-17 80	3 78	7.44		
				10.12.16	38	220	103				-		102	-	348	1084	1344	40.1
39	SYFERFONTEIN BOERDERY	SYF 160235 SP	SYF 130047 <input checked="" type="checkbox"/>	GTg	<b>95</b>	<b>95</b>	<b>117</b>	<b>99</b>	<b>106</b>	<b>91</b>	<b>94</b>	<b>95</b>	<b>96</b>	<b>90</b>	<b>93</b>	1.19		
			ADV 060212 <input checked="" type="checkbox"/>		1.58 81	11.0 78	-1.00 65	3.3 66	16.0 59	15.7 71	66 74	-37 49	6.6 79	-6 80	4 78	5.29		
				11.10.16	31	218	99				-		107	-	343	1133	1350	35.9
40	SYFERFONTEIN BOERDERY	SYF 170101 SP	ADV 140243 <input checked="" type="checkbox"/>	GTg	<b>105</b>	<b>114</b>	<b>105</b>	<b>93</b>	<b>102</b>	<b>110</b>	<b>107</b>	<b>104</b>	<b>113</b>	<b>90</b>	<b>105</b>	1.21		
			SYF 110295 <input checked="" type="checkbox"/>		0.62 79	19.4 75	-0.47 63	1.5 64	12.0 60	28.2 66	124 72	-54 52	19.9 78	-6 79	21 76	6.85		
				24.03.17	37	220	103				-		91	-	372	1189	1440	43.3
41	KLEIN GELUK BONSMARAS	SYF 160301 SP	GEL 100113	GT	<b>116</b>	<b>93</b>	<b>117</b>	<b>87</b>	<b>90</b>	<b>91</b>	<b>87</b>	<b>87</b>	<b>92</b>	<b>84</b>	<b>94</b>	1.22		
			SYF 130328 <input checked="" type="checkbox"/>		-0.57 79	10.4 75	-0.98 64	0.0 65	-2.0 61	15.4 68	36 73	-19 46	3.3 78	-11 79	6 77	7.41		
				23.10.16	30	247	94				-		98	-	332	1139	1387	58.8
42	SYFERFONTEIN BOERDERY	SYF 170030 SP	CKB 110010 <input checked="" type="checkbox"/>	GTg	<b>108</b>	<b>96</b>	<b>114</b>	<b>83</b>	<b>96</b>	<b>96</b>	<b>94</b>	<b>99</b>	<b>104</b>	<b>69</b>	<b>90</b>	1.22		
			SYF 140224 <input checked="" type="checkbox"/>		0.24 79	11.6 76	-0.86 63	-1.2 64	5.0 59	18.9 70	66 73	-44 51	12.3 78	-23 79	0 77	6.85		
				14.02.17	30	240	98				-		91	-	366	1141	1390	61.4




**Lot 37**

<p><b>SYF 150154</b> SPN Mat. 78</p> 	<p><b>SYF 100072</b> SPN Mat. 49</p>	<p>AFC 29 ICP 388</p>	<p><b>LAR 060141</b> SPN Mat. 75</p>	<p><b>LAR 020064</b> SPN Mat. 67 <b>LAR 030185</b> SPN Mat. 84 <b>LAR 030398</b> SPN Mat. 71 <b>SYF 040040</b> SPN Mat. 102 <b>SYF 020051</b> SPN Mat. 104 <b>AG 010403</b> SPN Mat. 88 <b>SYF 060102</b> SPN Mat. 104 <b>ADV 070052</b> SPN Mat. 95</p>
<p>AFC 24 ICP 375 RI 118</p>	<p><b>SYF 120011</b> SPN Mat. 109 Age/Calv. 6/5 Avg. Wl/Calf 103/5</p>	<p>AFC 29 ICP 421</p>	<p><b>ADV 060174</b> SPN Mat. 91</p>	<p><b>ADV 090142</b> SPN Mat. 103 Age/Calv. 8/6 Avg. Wl/Calf 99/4</p>


**Lot 38**

<p><b>TNS 160191</b> SPN Mat. 103</p> 	<p><b>ADV 110336</b> SPN Mat. 81</p>	<p>AFC 30 ICP 365</p>	<p><b>SYF 090144</b> SPN Mat. 89</p>	<p><b>LAR 060034</b> SPN Mat. 116 <b>SYF 060010</b> SPN Mat. 68 <b>ADV 010011</b> SPN Mat. 77 <b>AG 960002</b> SPN Mat. 103 <b>FCT 960024</b> SPN Mat. 84 <b>T 980027</b> SPN Mat. 125 <b>JHO 980078</b> SPN Mat. 78 <b>JHO 940114</b> SPN Mat. 112</p>
<p>AFC 37 ICP 457 RI 93</p>	<p><b>TNS 080101</b> SPN Mat. 117 Age/Calv. 11/7 Avg. Wl/Calf 111/5</p>	<p>AFC * ICP 666</p>	<p><b>T 030032</b> SPN Mat. 123 Silver</p>	<p><b>TNS 010087</b> SPN Mat. 78 Age/Calv. *7/6 Avg. Wl/Calf 91/6</p>


**Lot 39**

<p><b>SYF 160235</b> SPN Mat. 99</p> 	<p><b>SYF 130047</b> SPN Mat. 92</p>	<p>AFC 29 ICP 422</p>	<p><b>SYF 090010</b> SPN Mat. 84</p>	<p><b>SYF 040160</b> SPN Mat. 71 <b>SYF 060173</b> SPN Mat. 104 <b>AG 020251</b> SPN Mat. 120 <b>SYF 020079</b> SPN Mat. 102 <b>LAR 970229</b> SPN Mat. 68 <b>SYF 970136</b> SPN Mat. 129 <b>AG 970055</b> SPN Mat. 110 <b>AG 990004</b> SPN Mat. 65</p>
<p>AFC 36 ICP 359 RI 112</p>	<p><b>ADV 060212</b> SPN Mat. 99 Age/Calv. 12/10 Avg. Wl/Calf 102/10</p>	<p>AFC 40 ICP 408</p>	<p><b>SYF 020051</b> SPN Mat. 104</p>	<p><b>ADV 020006</b> SPN Mat. 67 Age/Calv. 11/8 Avg. Wl/Calf 94/7</p>


**Lot 40**

<p><b>SYF 170101</b> SPN Mat. 93</p> 	<p><b>ADV 140243</b> SPN Mat. 95</p>	<p>AFC 30 ICP 362</p>	<p><b>GEL 100113</b> SPN Mat. 93</p>	<p><b>GEL 060132</b> SPN Mat. 81 <b>GEL 050008</b> SPN Mat. 106 <b>SYF 070036</b> SPN Mat. 75 <b>ADV 070193</b> SPN Mat. 99 <b>SYF 020051</b> SPN Mat. 104 <b>AG 970118</b> SPN Mat. 110 <b>ADV 050155</b> SPN Mat. 90 <b>ADV 040035</b> SPN Mat. 85</p>
<p>AFC 36 ICP 404 RI 101</p>	<p><b>SYF 110295</b> SPN Mat. 101 Age/Calv. 7/5 Avg. Wl/Calf 103/4</p>	<p>AFC 35 ICP 391</p>	<p><b>ADV 070145</b> SPN Mat. 99</p>	<p><b>ADV 080229</b> SPN Mat. 105 Age/Calv. 9/7 Avg. Wl/Calf 102/7</p>

**Lot 41**

<p><b>SYF 160301</b> SPN Mat. 87</p> 	<p><b>GEL 100113</b> SPN Mat. 93</p>	<p>AFC 26 ICP 352</p>	<p><b>GEL 060132</b> SPN Mat. 81</p>	<p><b>ADV 010011</b> SPN Mat. 77 <b>ADV 030070</b> SPN Mat. 79 <b>ADV 010011</b> SPN Mat. 77 <b>GEL 970006</b> SPN Mat. 141 <b>ADV 040182</b> SPN Mat. 76 <b>SYF 990070</b> SPN Mat. 95 <b>AG 960239</b> SPN Mat. 90 <b>SYF 970161</b> SPN Mat. 133</p>
<p>AFC 36 ICP 379 RI 102</p>	<p><b>SYF 130328</b> SPN Mat. 82 Age/Calv. 5/3 Avg. Wl/Calf 95/3</p>	<p>AFC 36 ICP 365</p>	<p><b>SYF 100112</b> SPN Mat. 64</p>	<p><b>SYF 030104</b> SPN Mat. 113 Age/Calv. 15/13 Avg. Wl/Calf 101/13</p>

**Lot 42**

<p><b>SYF 170030</b> SPN Mat. 83</p> 	<p><b>CKB 110010</b> SPN Mat. 85</p>	<p>AFC 39 ICP 399</p>	<p><b>FCT 980067</b> SPN Mat. 103</p>	<p><b>EI 940339</b> SPN Mat. 116 <b>JVD 910053</b> SPN Mat. 109 <b>RCO 980035</b> SPN Mat. 66 <b>GB 950016</b> SPN Mat. 101 <b>SYF 070036</b> SPN Mat. 75 <b>SYF 060055</b> SPN Mat. 73 <b>AG 980012</b> SPN Mat. 71 <b>AG 970208</b> SPN Mat. 99</p>
<p>AFC 29 ICP 112 RI 112</p>	<p><b>SYF 140224</b> SPN Mat. 78 Age/Calv. 2/1 Avg. Wl/Calf 98/1</p>	<p>AFC 30 ICP 372</p>	<p><b>SYF 100247</b> SPN Mat. 71</p>	<p><b>ADV 060030</b> SPN Mat. 75 Age/Calv. 13/11 Avg. Wl/Calf 98/11</p>

Lot	Verkoper	ID POENA Gen	OUERS VADER GV OV MOEDER GV OV	Toets Genomies Getoets DNS Geb. dat.	DIREKTE KALF EIENSKAPPE		DOGTER EIENSKAPPE			GROEI		DOEL	REP	MATES		V:	Semen Gebruikers	Gebruiker Eie Opmerkings		
					Nageslag Geboorte- gewig	Nageslag Speengewig	Gemak van Kalwing	Melk prod.	Volwas- se Gewig	Naspeen- gewig	Daaglikse Toename			Voer- omset	Hoogte & Lengte					
					Teelwaarde indekse															
					Geb Dir	Speen Dir		Geb Mat	Speen Mat	Volw Gew	Naspeen	GDT	VOV	SO	Hgt	Lgt	LHV			
					Akk	Akk		Akk	Akk	Akk	Akk	Akk	Akk	Akk	Akk	Akk	GGV			
					Gew kg	Gew kg	Ind	kg	kg	kg	365d Ind	540d Ind	Ind	Ind	(mm)	(mm)	(mm)	SGV		


## BULLE

43	SYFERFONTEIN BOERDERY	SYF 160346 SP	SYF 130047	GTg	<b>115</b>	<b>92</b>	<b>106</b>	<b>92</b>	<b>100</b>	<b>88</b>	<b>98</b>	<b>101</b>	<b>101</b>	<b>87</b>	<b>95</b>	1.21		
			<input checked="" type="checkbox"/>		-0.50	10.0	-0.49	1.3	9.0	13.4	83	-49	10.1	-9	7	5.39		
			SYF 080076	DNS	78	74	56	59	49	64	69	17	76	77	74			
					20.12.16	32	221	<b>100</b>		-	<b>90</b>	-	337	1115	1348	40.3		
44	SYFERFONTEIN BOERDERY	SYF 170054 SP	SYF 130223	GTg	<b>102</b>	<b>117</b>	<b>107</b>	<b>91</b>	<b>102</b>	<b>115</b>	<b>111</b>	<b>102</b>	<b>114</b>	<b>102</b>	<b>111</b>	1.23		
			<input checked="" type="checkbox"/>		0.89	20.9	-0.56	1.2	12.0	32.2	145	-51	20.6	3	28	7.04		
			SYF 100202		80	77	64	66	62	70	75	52	80	81	79			
					04.03.17	35	227	<b>108</b>		-	<b>118</b>	-	361	1200	1479	45.4		
45	STORMFONTEIN BONSMARAS	ADV 160255 SP	SYF 120090	GTg	<b>91</b>	<b>108</b>	<b>83</b>	<b>104</b>	<b>94</b>	<b>111</b>	<b>105</b>	<b>95</b>	<b>103</b>	<b>94</b>	<b>107</b>	1.25		
			<input checked="" type="checkbox"/>		2.07	17.1	0.52	4.6	3.0	29.3	117	-36	11.8	-3	23	8.71		
			ADV 100087		79	76	65	66	59	70	73	54	79	80	78			
					26.10.16	40	221	<b>95</b>		-	<b>123</b>	-	330	1130	1408	52.9		
46	KLEIN GELUK BONSMARAS	SYF 160303 SP	GEL 100113	GT	<b>111</b>	<b>115</b>	<b>110</b>	<b>87</b>	<b>130</b>	<b>117</b>	<b>109</b>	<b>96</b>	<b>101</b>	<b>110</b>	<b>120</b>	1.22		
					-0.11	20.0	-0.70	-0.1	41.0	33.1	136	-38	9.9	10	41	-		
			SYF 130069		78	72	56	57	51	63	68	13	75	76	73			
					24.10.16	31	263	<b>101</b>		-	<b>116</b>	-	339	1190	1457	44.6		
47	SYFERFONTEIN BOERDERY	SYF 170103 SP	CKB 110010	GTg	<b>130</b>	<b>86</b>	<b>123</b>	<b>83</b>	<b>81</b>	<b>91</b>	<b>95</b>	<b>98</b>	<b>116</b>	<b>83</b>	<b>93</b>	1.2		
			<input checked="" type="checkbox"/>		-2.05	7.3	-1.28	-1.3	-11.0	15.5	72	-41	21.7	-12	4	6.11		
			SYF 140272		80	74	59	60	53	68	71	44	77	78	76			
					24.03.17	24	239	<b>100</b>		-	<b>95</b>	-	389	1136	1365	68.3		
48	SYFERFONTEIN BOERDERY	SYF 170038 SP	ADV 130332	GTg	<b>107</b>	<b>91</b>	<b>109</b>	<b>91</b>	<b>103</b>	<b>93</b>	<b>110</b>	<b>107</b>	<b>82</b>	<b>102</b>	<b>100</b>	1.22		
			<input checked="" type="checkbox"/>		0.32	9.4	-0.62	1.0	13.0	17.2	138	-61	-5.0	3	14	6.18		
			SYF 020082	DNS	78	73	53	55	44	62	66	16	75	76	73			
					23.02.17	34	209	<b>95</b>		-	<b>114</b>	-	344	1196	1455	36.7		

### Lot 43

**SYF 160346**  
SPN Mat. 92

**SYF 130047**  
SPN Mat. 92



**SYF 080076**  
SPN Mat. 93

OEK 30 Oud/Kalw. 10/8  
TKP 387 Gem. SI/Kalf 99/8  
RI 110

**SYF 090010**  
SPN Mat. 84

**SYF 090132**  
SPN Mat. 115

OEK 29 Oud/Kalw. 7/5  
TKP 422 Gem. SI/Kalf 106/3

**SYF 020051**  
SPN Mat. 104

**SYF 030111**  
SPN Mat. 118

OEK 24 Oud/Kalw. 12/10  
TKP 402 Gem. SI/Kalf 104/9

**SYF 040160**  
SPN Mat. 71

**SYF 060173**  
SPN Mat. 104

**AG 020251**  
SPN Mat. 120

**SYF 020079**  
SPN Mat. 102

**LAR 970229**  
SPN Mat. 68

**SYF 970136**  
SPN Mat. 129


**AG 980165**  
SPN Mat. 119

**SYF 000007**  
SPN Mat. 143

### Lot 44

**SYF 170054**  
SPN Mat. 91

**SYF 130223**  
SPN Mat. 82



**SYF 100202**  
SPN Mat. 99

OEK 31 Oud/Kalw. 9/7  
TKP 364 Gem. SI/Kalf 105/6  
RI 114

**SYF 100072**  
SPN Mat. 49

**ADV 110065**  
SPN Mat. 85

OEK 29 Oud/Kalw. 6/4  
TKP 446 Gem. SI/Kalf 100/4

**ADV 060174**  
SPN Mat. 91

**SYF 080079**  
SPN Mat. 100

OEK 27 Oud/Kalw. 9/8  
TKP 377 Gem. SI/Kalf 100/8

**LAR 060141**  
SPN Mat. 75

**SYF 070209**  
SPN Mat. 79

**ADV 070005**  
SPN Mat. 71

**ADV 070078**  
SPN Mat. 79

**SYF 020051**  
SPN Mat. 104

**AG 010403**  
SPN Mat. 88


**LAR 030398**  
SPN Mat. 71

**SYF 040143**  
SPN Mat. 126

### Lot 45

**ADV 160255**  
SPN Mat. 104

**SYF 120090**  
SPN Mat. 107



**ADV 100087**  
SPN Mat. 102

OEK 29 Oud/Kalw. 7/6  
TKP 366 Gem. SI/Kalf 99/6  
RI 115

**ADV 070154**  
SPN Mat. 106

**SYF 070114**  
SPN Mat. 106

OEK 31 Oud/Kalw. 10/9  
TKP 361 Gem. SI/Kalf 102/8

**LAR 060034**  
SPN Mat. 116

**MBZ 960180**  
SPN Mat. 99

OEK 24 Oud/Kalw. 15/13  
TKP 393 Gem. SI/Kalf 98/13

**LAR 030398**  
SPN Mat. 71

**ADV 030008**  
SPN Mat. 127

**SYF 020051**  
SPN Mat. 104

**SYF 990079**  
SPN Mat. 91

**LAR 020101**  
SPN Mat. 97

**LAR 980130**  
SPN Mat. 115


**MBZ 930026**  
SPN Mat. 92

**MBZ 940041**  
SPN Mat. 122

### Lot 46

**SYF 160303**  
SPN Mat. 87

**GEL 100113**  
SPN Mat. 93



**SYF 130069**  
SPN Mat. 79

OEK 29 Oud/Kalw. 6/4  
TKP 373 Gem. SI/Kalf 98/3  
RI 113

**GEL 060132**  
SPN Mat. 81

**GEL 050008**  
SPN Mat. 106

OEK 26 Oud/Kalw. 6/5  
TKP 352 Gem. SI/Kalf 105/5

**SYF 100223**  
SPN Mat. 65

**SYF 020008**  
SPN Mat. 105

OEK 31 Oud/Kalw. 13/11  
TKP 378 Gem. SI/Kalf 107/11

**ADV 010011**  
SPN Mat. 77

**ADV 030070**  
SPN Mat. 79

**ADV 010011**  
SPN Mat. 77

**GEL 970006**  
SPN Mat. 141

**SYF 070036**  
SPN Mat. 75

**SYF 050040**  
SPN Mat. 98


**AG 980165**  
SPN Mat. 119

**SYF 970222**  
SPN Mat. 70

### Lot 47

**SYF 170103**  
SPN Mat. 83

**CKB 110010**  
SPN Mat. 85



**SYF 140272**  
SPN Mat. 90

OEK 29 Oud/Kalw. 4/2  
TKP 707 Gem. SI/Kalf 100/1  
RI 89

**FCT 980067**  
SPN Mat. 103

**DKN 040109**  
SPN Mat. 75

OEK 39 Oud/Kalw. 12/9  
TKP 399 Gem. SI/Kalf 96/9

**GEL 100113**  
SPN Mat. 93

**ADV 110065**  
SPN Mat. 85

OEK 29 Oud/Kalw. 6/4  
TKP 446 Gem. SI/Kalf 100/4

**EI 940339**  
SPN Mat. 116

**JVD 910053**  
SPN Mat. 109

**RCO 980035**  
SPN Mat. 66

**GB 950016**  
SPN Mat. 101

**GEL 060132**  
SPN Mat. 81

**GEL 050008**  
SPN Mat. 106


**ADV 070005**  
SPN Mat. 71

**ADV 070078**  
SPN Mat. 79

### Lot 48

**SYF 170038**  
SPN Mat. 91

**ADV 130332**  
SPN Mat. 82



**SYF 020082**  
SPN Mat. 98

OEK 30 Oud/Kalw. 14/12  
TKP 391 Gem. SI/Kalf 99/12  
RI 110

**ADV 110062**  
SPN Mat. 84

**ADV 110042**  
SPN Mat. 87

OEK 31 Oud/Kalw. 7/4  
TKP 597 Gem. SI/Kalf 108/3

**AG 960239**  
SPN Mat. 90

**SYF 970137**  
SPN Mat. 115

OEK 35 Oud/Kalw. 13/11  
TKP 383 Gem. SI/Kalf 103/11

**ADV 070005**  
SPN Mat. 71

**ADV 070051**  
SPN Mat. 110

**SYF 080011**  
SPN Mat. 90

**ADV 060144**  
SPN Mat. 87


**AG 940145**  
SPN Mat. 106

**AG K 0086**  
SPN Mat. 65





**SYF K 0070**  
SPN Mat. 102

Lot	Seller	ID POLLED Gen	PARENTS		Test	Breeding Value Indexes											LHR BWR WWR	Semen Users	Breeder Own Remarks
			SIRE GV PV	DAM GV PV		Genomic Tested DNA	Birth Dir Acc	Wean Dir Acc	Birth Mat Acc	Wean Mat Acc	Mat Wgt Acc	Post Wean Acc	ADG Acc	FCR Acc	SC Acc	Hgt Acc			
					Birth Date	Wgt kg	Wgt kg	Ind	kg	kg	kg	365d Ind	540d Ind	Ind	Ind	(mm)	(mm)	(mm)	





## BULLS

49	SYFERFONTEIN BOERDERY	SYF 160284 SP	SYF 120090	GTg	<b>101</b>	<b>110</b>	<b>83</b>	<b>97</b>	<b>111</b>	<b>110</b>	<b>113</b>	<b>109</b>	<b>101</b>	<b>92</b>	<b>100</b>	1.19		
			<input checked="" type="checkbox"/>	<input checked="" type="checkbox"/>	0.98	17.8	0.52	2.8	22.0	28.8	153	-65	10.1	-5	14	6.14		
			SYF 110034		12.11.16	35	222	109		-	108	-	343	1108	1317	41.7		
50	SYFERFONTEIN BOERDERY	SYF 170045 SP	GEL 100113	GTg	<b>123</b>	<b>89</b>	<b>107</b>	<b>87</b>	<b>90</b>	<b>90</b>	<b>88</b>	<b>86</b>	<b>89</b>	<b>89</b>	<b>97</b>	1.23		
			<input checked="" type="checkbox"/>	DNA	-1.32	8.3	-0.53	-0.1	-2.0	14.8	40	-17	0.6	-7	10	5.67		
			SYF 060159	27.02.17	32	200	91		-	102	-	355	1177	1447	36.2			
51	SYFERFONTEIN BOERDERY	SYF 160340 SP	SYF 130047	GTg	<b>102</b>	<b>100</b>	<b>105</b>	<b>80</b>	<b>99</b>	<b>94</b>	<b>88</b>	<b>89</b>	<b>101</b>	<b>70</b>	<b>87</b>	1.22		
			<input checked="" type="checkbox"/>	DNA	0.93	13.4	-0.46	-2.0	8.0	17.7	41	-24	10.3	-22	-4	5.93		
			SYF 060010	03.12.16	35	222	99		-	103	-	345	1087	1329	42			
52	KLEIN GELUK BONSMARAS	SYF 160321 SP	AJF 110318	GT	<b>99</b>	<b>111</b>	<b>126</b>	<b>93</b>	<b>101</b>	<b>113</b>	<b>116</b>	<b>106</b>	<b>124</b>	<b>109</b>	<b>118</b>	1.22		
			<input checked="" type="checkbox"/>	1.24	18.2	-1.40	1.7	11.0	30.5	169	-58	28.3	9	39	8.67			
			ADV 130106	06.12.16	36	287	109		-	105	-	343	1209	1481	69.2			
53	SYFERFONTEIN BOERDERY	SYF 170023 SP	CKB 110010	GTg	<b>119</b>	<b>98</b>	<b>113</b>	<b>94</b>	<b>94</b>	<b>103</b>	<b>105</b>	<b>101</b>	<b>109</b>	<b>97</b>	<b>110</b>	1.22		
			<input checked="" type="checkbox"/>	-0.90	12.6	-0.82	2.0	4.0	23.4	118	-48	16.7	-1	27	6.94			
			VIL 140321	08.02.17	30	251	103		-	102	-	362	1189	1456	65.5			
54	SYFERFONTEIN BOERDERY	SYF 170034 SP	CKB 110010	GTg	<b>86</b>	<b>118</b>	<b>96</b>	<b>98</b>	<b>112</b>	<b>123</b>	<b>123</b>	<b>109</b>	<b>120</b>	<b>120</b>	<b>126</b>	1.21		
			<input checked="" type="checkbox"/>	2.58	21.6	-0.05	2.9	22.0	37.2	198	-64	24.9	18	49	7.82			
			SYF 140231	17.02.17	38	269	108		-	115	-	353	1243	1501	60.3			



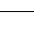

**Lot 49**

SYF 160284 SPN Mat. 97 		SYF 120090 SPN Mat. 107 	AFC 30 ICP 373 RI 113 Avg. WI/Calf 100/6	SYF 110034 SPN Mat. 86 Age/Calv. 8/6	 Elite-Gold SYF 070114 SPN Mat. 106 Age/Calv. 10/9 Avg. WI/Calf 102/8	AFC 31 ICP 361	LAR 030398 SPN Mat. 71 ADV 030008 SPN Mat. 127 SYF 020051 SPN Mat. 104 SYF 990079 SPN Mat. 91 AG 020251 SPN Mat. 120 SYF 990070 SPN Mat. 95 AG 980165 SPN Mat. 119 SYF 970222 SPN Mat. 70
--	---	---	---	--	--	-------------------	--





**Lot 50**

SYF 170045 SPN Mat. 87 		GEL 100113 SPN Mat. 93 	AFC 31 ICP 360 RI 115 Avg. WI/Calf 99/9	SYF 060159 SPN Mat. 75 Age/Calv. 12/11 Avg. WI/Calf 105/5	GEL 060132 SPN Mat. 81 	AFC 26 ICP 352	ADV 010011 SPN Mat. 77 ADV 030070 SPN Mat. 79 ADV 010011 SPN Mat. 77 GEL 970006 SPN Mat. 141 BEI 950141 SPN Mat. 100 GBS 000025 SPN Mat. 79 AG 960239 SPN Mat. 90 SYF 960068 SPN Mat. 75
--	---	--	--	--	--	-------------------	---





**Lot 51**

SYF 160340 SPN Mat. 80 		SYF 130047 SPN Mat. 92 	AFC 30 ICP 368 RI 114 Avg. WI/Calf 99/8	SYF 060010 SPN Mat. 68 Age/Calv. 13/11	SYF 090010 SPN Mat. 84 SYF 090132 SPN Mat. 115 Age/Calv. 7/5 Avg. WI/Calf 106/3 ADV 010011 SPN Mat. 77 	AFC 29 ICP 422	SYF 040160 SPN Mat. 71 SYF 060173 SPN Mat. 104 AG 020251 SPN Mat. 120 SYF 020079 SPN Mat. 102 AG 970055 SPN Mat. 110 AG 970357 SPN Mat. 99 LAR 970229 SPN Mat. 68 SYF 970211 SPN Mat. 67
--	---	--	--	--	--	-------------------	---





**Lot 52**

SYF 160321 SPN Mat. 93 		AJF 110318 SPN Mat. 105 	AFC 29 ICP 383 RI 112 Avg. WI/Calf 102/4	ADV 130106 SPN Mat. 81 Age/Calv. 6/4 Avg. WI/Calf 102/4	AJF 060152 SPN Mat. 57 	AFC 29 ICP 360	AG 020220 SPN Mat. 81 AJF 970241 SPN Mat. 88 VV 940061 SPN Mat. 112 AJF 970114 SPN Mat. 122 SYF 070036 SPN Mat. 75 SYF 050040 SPN Mat. 98 SYF 020051 SPN Mat. 104 ADV 050166 SPN Mat. 82
--	---	---	---	--	--	-------------------	---

**Lot 53**

SYF 170023 SPN Mat. 94 		CKB 110010 SPN Mat. 85 	AFC 27 ICP 643 RI 98 Avg. WI/Calf 105/2	VIL 140321 SPN Mat. 105 Age/Calv. 4/2	FCT 980067 SPN Mat. 103 	AFC 39 ICP 399	EI 940339 SPN Mat. 116 JVD 910053 SPN Mat. 109 RCO 980035 SPN Mat. 66 GB 950016 SPN Mat. 101 GEL 060132 SPN Mat. 81 GEL 050008 SPN Mat. 106 ADV 070101 SPN Mat. 92 GEL 040082 SPN Mat. 105
--	---	--	--	---	---	-------------------	---

**Lot 54**

SYF 170034 SPN Mat. 98 		CKB 110010 SPN Mat. 85 	AFC 29 ICP 759 RI 86 Avg. WI/Calf 108/1	SYF 140231 SPN Mat. 111 Age/Calv. 4/2 Avg. WI/Calf 108/1	FCT 980067 SPN Mat. 103 	AFC 39 ICP 399	EI 940339 SPN Mat. 116 JVD 910053 SPN Mat. 109 RCO 980035 SPN Mat. 66 GB 950016 SPN Mat. 101 SYF 070036 SPN Mat. 75 SYF 060149 SPN Mat. 95 AG 980165 SPN Mat. 119 SYF 000011 SPN Mat. 132
--	---	--	--	---	---	-------------------	--

Lot	Verkoper	ID POENA Gen	OUERS VADER GV OV MOEDER GV OV	Toets Genomies Getoets DNS Geb. dat.	DIREKTE KALF EIENSKAPPE		DOGTER EIENSKAPPE			GROEI		DOEL	REP	MATES		V:	Semen Gebruikers	Gebruiker Eie Opmerkings
					Nageslag Geboorte- gewig	Nageslag Speengewig	Gemak van Kalwing	Melk prod.	Volwas- se Gewig	Naspeen- gewig	Daaglikse Toename			Voer- omset	Hoogte & Lengte			
Teelwaarde indekse																		
					Geb Dir	Speen Dir		Geb Mat	Speen Mat	Volw Gew	Naspeen	GDT	VOV	SO	Hgt	Lgt	LHV	
					Akk	Akk		Akk	Akk	Akk	Akk	Akk	Akk	Akk	Akk	Akk	GGV	
					Gew kg	Gew kg	Ind	kg	kg	kg	365d Ind	540d Ind	Ind	Ind	(mm)	(mm)	(mm)	

## BULLE


55	SYFERFONTEIN BOERDERY	SYF 160350 SP	SYF 120090 <input checked="" type="checkbox"/>	GTg	<b>100</b>	<b>104</b>	<b>102</b>	<b>97</b>	<b>108</b>	<b>107</b>	<b>107</b>	<b>107</b>	<b>107</b>	<b>95</b>	<b>99</b>	1.18	
			SYF 100341 <input checked="" type="checkbox"/>	DNS	1.14 77	15.3 73	-0.31 55	2.8 58	19.0 45	26.1 64	125 69	-60 40	15.1 76	-3 77	13 74	6.48	
				25.12.16	39	205	<b>97</b>			-	<b>100</b>	-	354	1127	1331	38	
56	KLEIN GELUK BONSMARAS	SYF 160324 SP	AJF 110318	GT	<b>96</b>	<b>110</b>	<b>132</b>	<b>96</b>	<b>100</b>	<b>107</b>	<b>107</b>	<b>102</b>	<b>123</b>	<b>86</b>	<b>102</b>	1.2	
			SYF 130132		1.49 78	17.7 72	-1.68 52	2.5 54	10.0 45	26.1 58	125 66	-50 22	27.3 74	-9 76	17 73	9.16	
				10.12.16	38	280	<b>105</b>			-	<b>109</b>	-	369	1141	1373	66.7	



**Lot 55**

**SYF 160350**  
SPN Mat. 97

**SYF 120090**  
SPN Mat. 107



**SYF 100341**

OEK 34 SPN Mat. 81  
 TKP 399 Oud/Kalw. 6/4  
 RI 104 Gem. Sl/Kalf 98/4

**ADV 070154**  
SPN Mat. 106

Elite-Goud

**SYF 070114**

OEK 31 SPN Mat. 106  
 TKP 361 Oud/Kalw. 10/9  
 Gem. Sl/Kalf 102/8

**ADV 070005**  
SPN Mat. 71

**SYF 070058**

OEK 30 SPN Mat. 98  
 TKP 429 Oud/Kalw. 12/9  
 Gem. Sl/Kalf 99/8


**LAR 030398**

SPN Mat. 71  
**ADV 030008**  
 SPN Mat. 127  
**SYF 020051**  
 SPN Mat. 104  
**SYF 990079**  
 SPN Mat. 91  
**AG 020251**  
 SPN Mat. 120  
**AG 000142**  
 SPN Mat. 64  
**ADV 010011**  
 SPN Mat. 77  
**SYF 960040**  
 SPN Mat. 145

**Lot 56**

**SYF 160324**  
SPN Mat. 96

**AJF 110318**  
SPN Mat. 105



**SYF 130132**

OEK 27 SPN Mat. 84  
 TKP 390 Oud/Kalw. 5/4  
 RI 113 Gem. Sl/Kalf 103/4

**AJF 060152**  
SPN Mat. 57

**AJF 000038**

OEK 29 SPN Mat. 130  
 TKP 360 Oud/Kalw. 13/12  
 Gem. Sl/Kalf 107/11

**SYF 100223**  
SPN Mat. 65

**AG 970022**

OEK 31 SPN Mat. 97  
 TKP 415 Oud/Kalw. 16/13  
 Gem. Sl/Kalf 103/12

**AG 020220**

SPN Mat. 81  
**AJF 970241**  
 SPN Mat. 88  
**VV 940061**  
 SPN Mat. 112  
**AJF 970114**  
 SPN Mat. 122  
**SYF 070036**  
 SPN Mat. 75  
**SYF 050040**  
 SPN Mat. 98  
**AG J 0008**  
 SPN Mat. 89  
**AG K 0132**  
 SPN Mat. 70